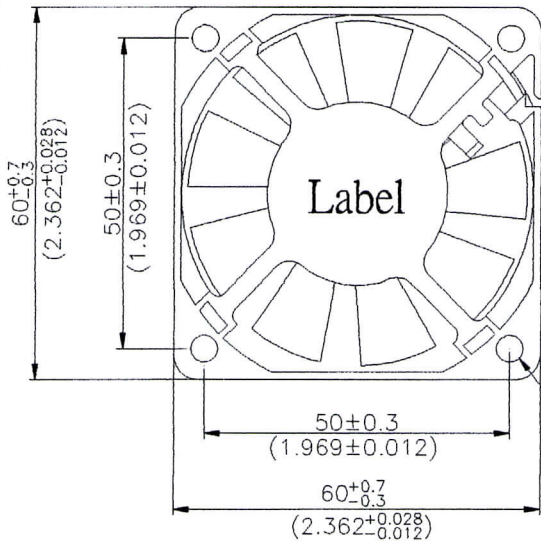


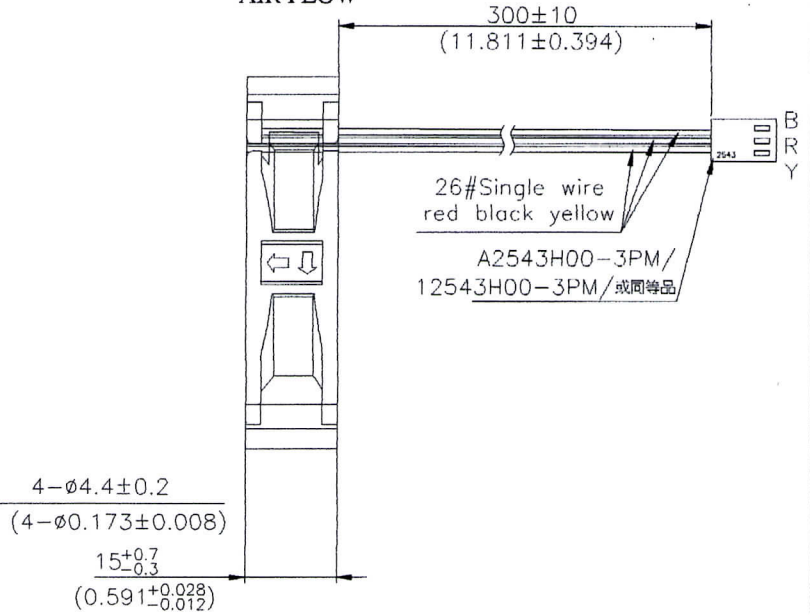
# DIMENSION

UNIT:  $\frac{\text{mm}}{\text{(inch)}}$

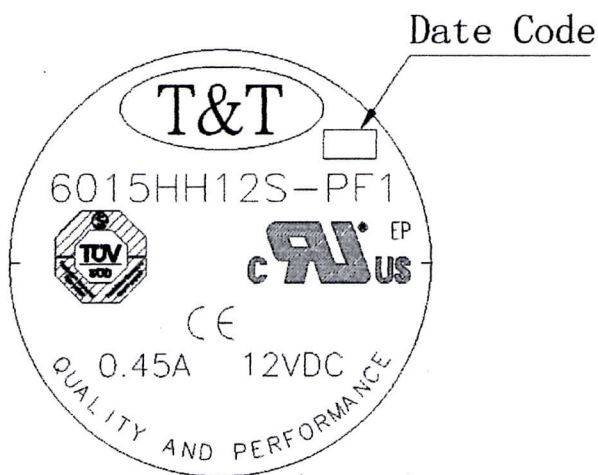
ROTATION



AIR FLOW



# LABEL



## Date Code

1	35	2
last number of the year, e.g.: 1 stands for 2011, 2 stands for 2012 ... 9 stands for 2019 0 stands for 2020	week, e.g.: 35 stands for 35 week	the day of one week, e.g.: 1 stands for Monday, 2 stands for Tuesday, 6 stands for Saturday, 7 stands for Sunday.