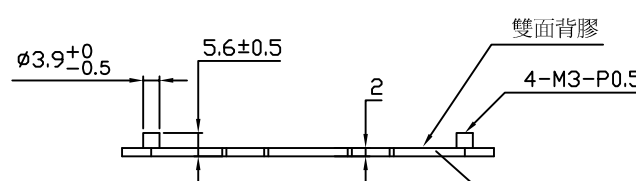
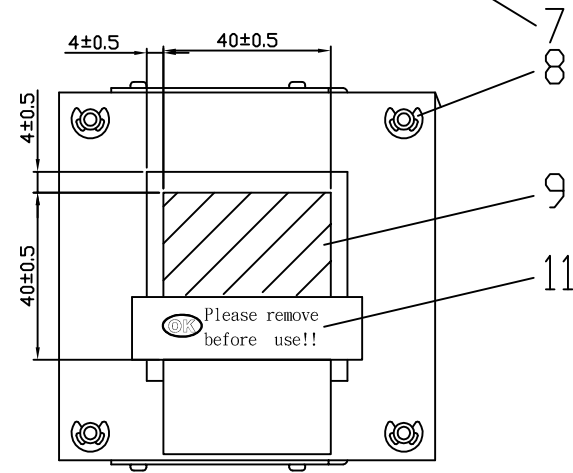
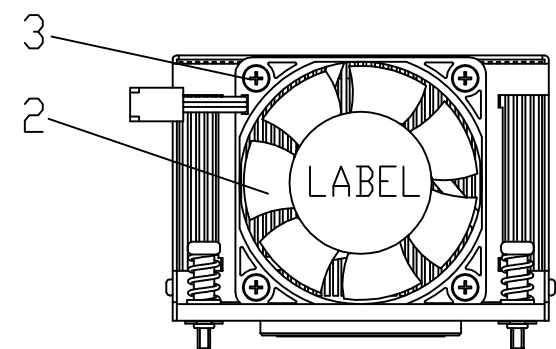
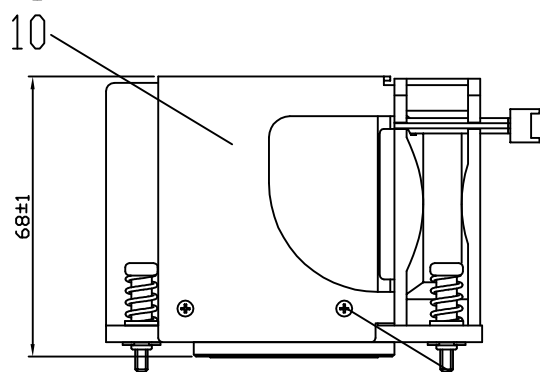
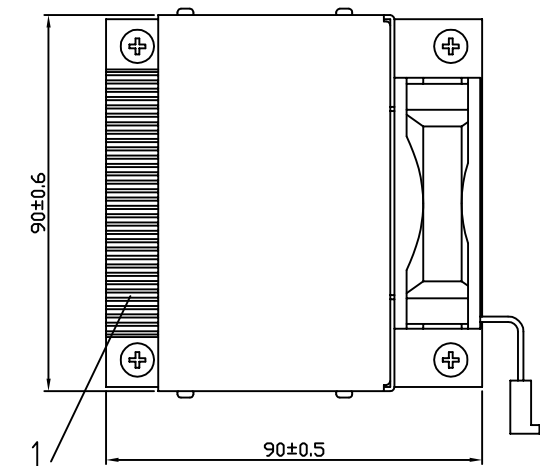


GP



TOLERANCE TABLE
(UNLESS OTHERWISE SPECIFIED)

RANGE	TOL ±
UNDER 6	0.18
6~10	0.22
10~18	0.27
18~30	0.33
30~50	0.39
50~80	0.46
80~120	0.54
120~250	0.63
250 OVER	0.8
ANG TOL ±	1°

NOTE :
 1. FIN PITCH : 2mm
 2. FIN THICKNESS : 0.53mm

12. JAT180	BACKPLATE	1
11. PTJA67	OK LABEL	1
10. JAW173	COVER	1
9. JAP118E-1	7762 THERMAL PAD	1
8. JAS052C-3	E-RING	4
7. JAS005C	SCREW	4
6. JAS031C-3	WASHER	4
5. JAS175C-2	SPRING	4
4. JAS175C-1	BOLT	4
3. JAS142C	SCREW	4
2. JAF606020H4	FAN	1
1. J AHL13A	HEAT SINK	1
P/N	DESCRIPTION	QTY

REV	DESCRIPTION	DATE	DRN	BETH'	04/07 2011	P/N:	JAC9L13A-A
REVISION HISTORY			CHK			TITLE:	SCALE:
MATERIAL: --			APP			COOLER	1 : 2
FINISH: --							UNIT:
REV: --							M/M

CHIA CHERNE INDUSTRY CO., LTD.
CoolJag
 TEL: +886 4 7323090
 FAX: +886 4 7383155

