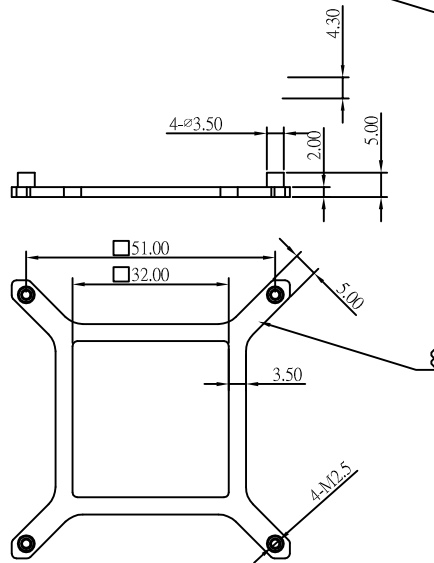
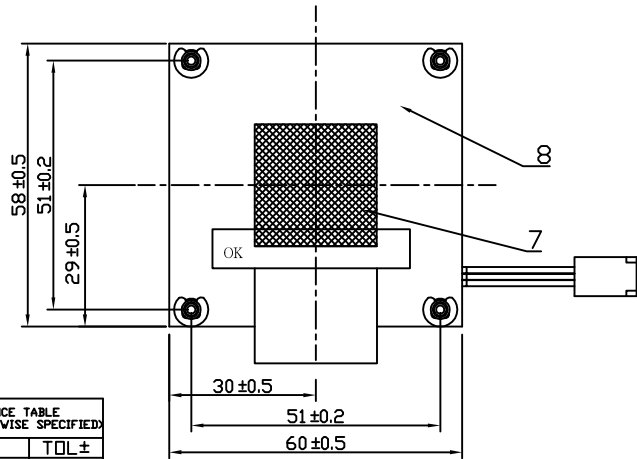
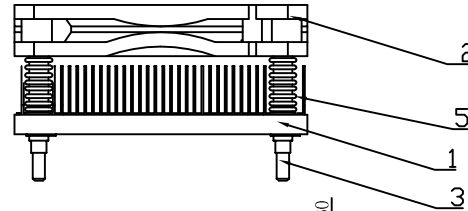
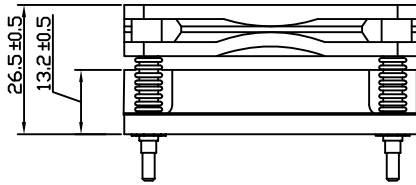
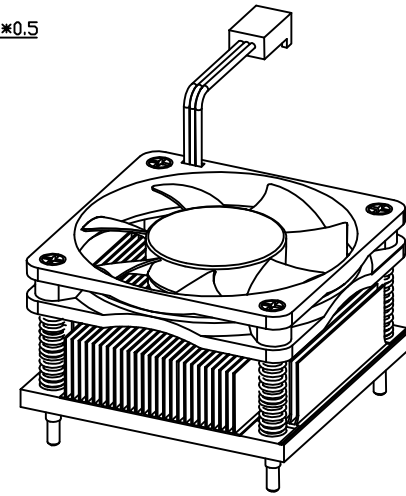
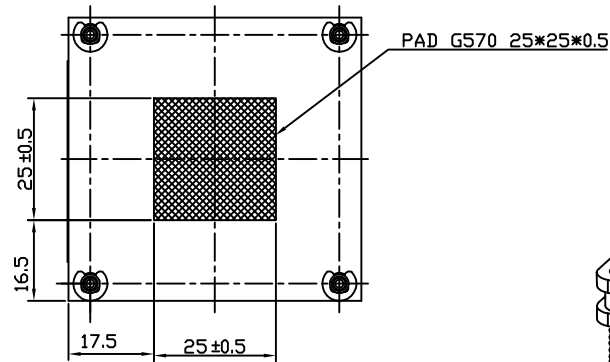
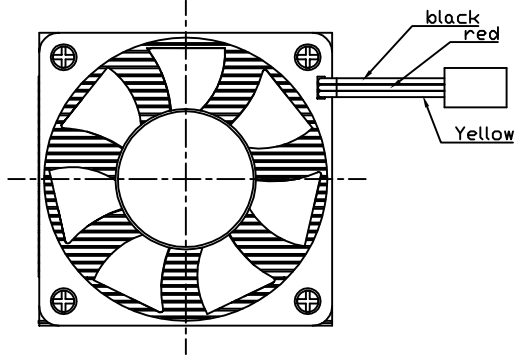


GP



NOTE:
 1. DEBURR AND BREAK ALL SHARP EDGES.
 2. BOTTOM DIAGONAL FLATNESS < ±0.05 mm

TOLERANCE TABLE (UNLESS OTHERWISE SPECIFIED)	
RANGE	TOL ±
UNDER 6	0.18
6~10	0.22
10~18	0.27
18~30	0.33
30~50	0.39
50~80	0.46
80~120	0.54
120~250	0.63
250 OVER	0.8
ANG TOL ±	1°

REV	DESCRIPTION	DATE
REVISION HISTORY		

MATERIAL: -- FINISH: -- REV: A
 CHIA CHERNE INDUSTRY CO., LTD.
CoolJag TEL: +886 4 7323090 FAX: +886 4 7383155



7.JAP118E	PAD/G570/25*25*0.5	1
6.JAT222	Backplate/black	1
5.JAS052C-3	E-Ring	4
3.JAS353C-2	SPRING	4
3.JAS353C-1	SCREW	4
2.FAN606010H10	JAF 606010H10/4200RPM	1
1.JAHD02C	Heatsink/CU1100	1
P/N	DESCRIPTION	QTY

DRN	BETH	03/25 2009	P/N: JAC3D02C	SCALE: 1:1.5
CHK			TITLE: COOLER PGA-989	UNIT: M/M
APP				