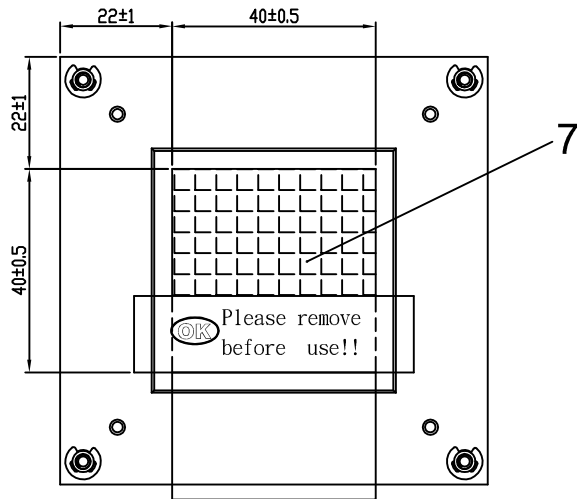
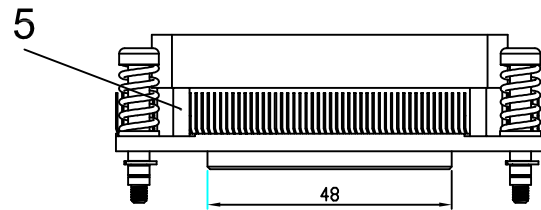
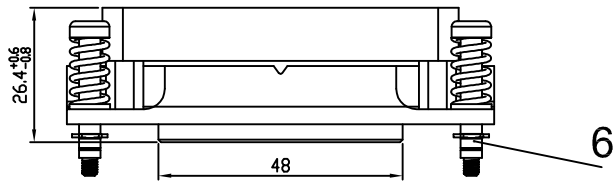
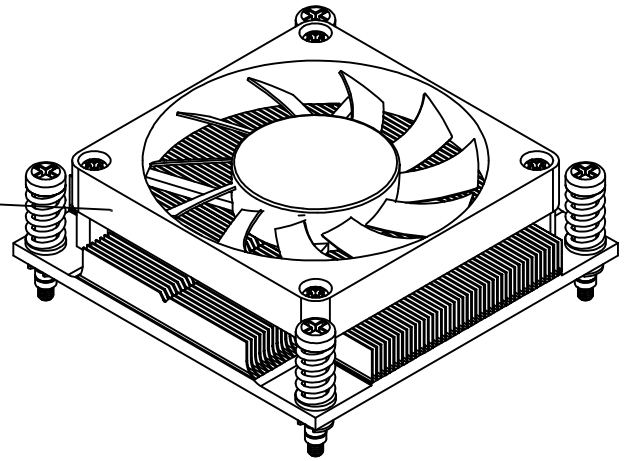
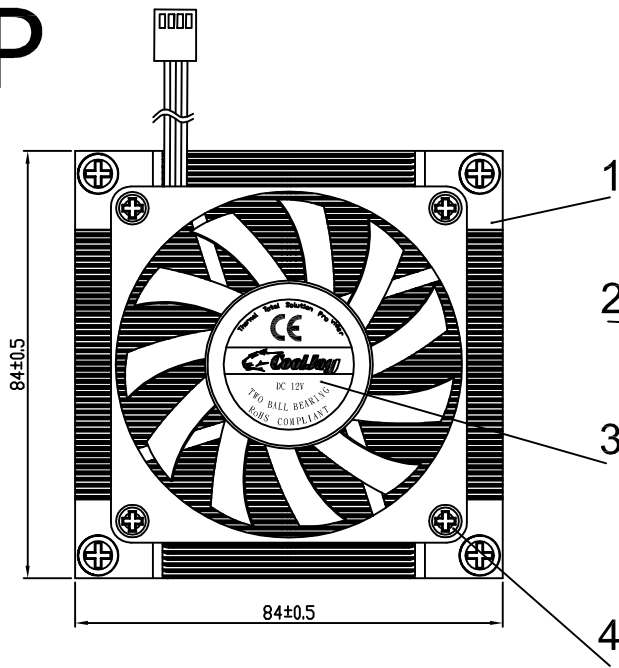


GP



TOLERANCE TABLE (UNLESS OTHERWISE SPECIFIED)	
RANGE	TOL±
UNDER 6	0.18
6~10	0.22
10~18	0.27
18~30	0.33
30~50	0.39
50~80	0.46
80~120	0.54
120~250	0.63
250 OVER	0.8
ANG TOL±	1°

NOTE:
 1.THE FIN PITCH IS 1.2 mm.
 2.THE FIN THICKNESS IS 0.3±0.1 mm.

8. JAT180	背板	1
7. JAP118E-1	Thermal PAD /40*40mm	1
6. JAS175C	Spring Screw Kit	4
5. JAU024	Part	4
4. JAS095C	Fan Screw	4
3. PTJA99	Fan Label	1
2. JAF707010H5	Everflow Fan	1
1. JAHL07C	Heatsink	1
P/N	DESCRIPTION	QTY

REV	DESCRIPTION	DATE
REVISION HISTORY		

DRN	Tony	03/14 2011	P/N: JAC7L07C-A
CHK			TITLE: COOLER
APP			SCALE: 1 : 1
			UNIT: M/M

MATERIAL: --

FINISH: --

REV: --



CHIA CHERNE INDUSTRY CO., LTD.

TEL: +886 4 7323090
 FAX: +886 4 7383155



APP

SCALE: 1 : 1
 UNIT: M/M