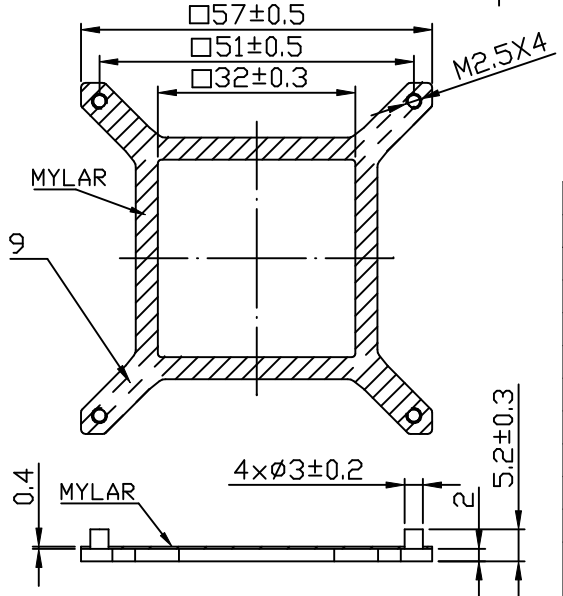
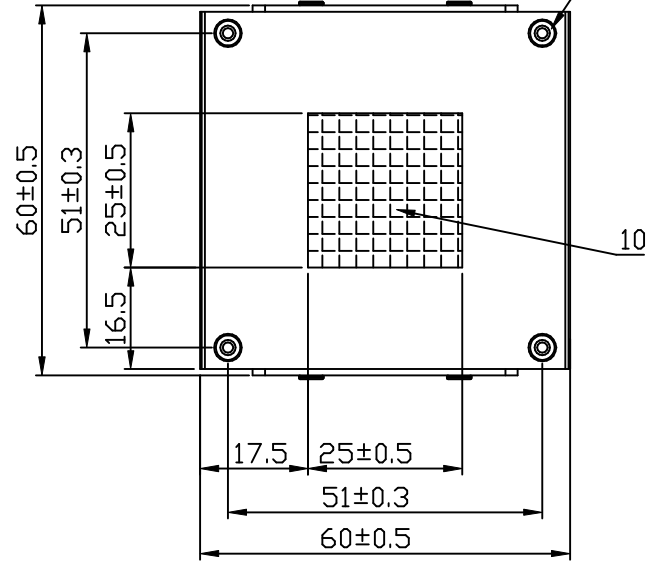
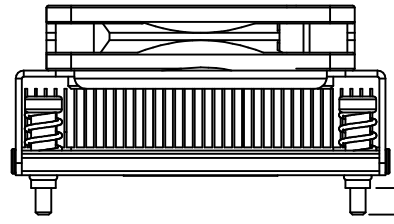
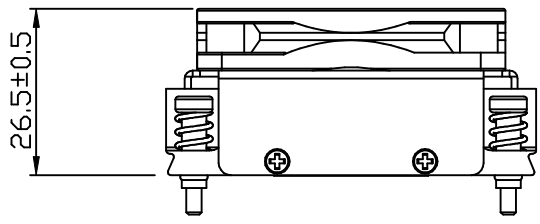
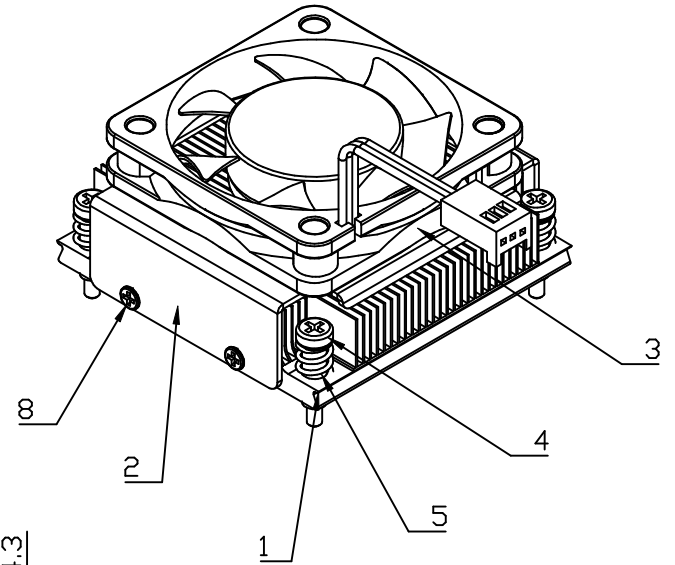
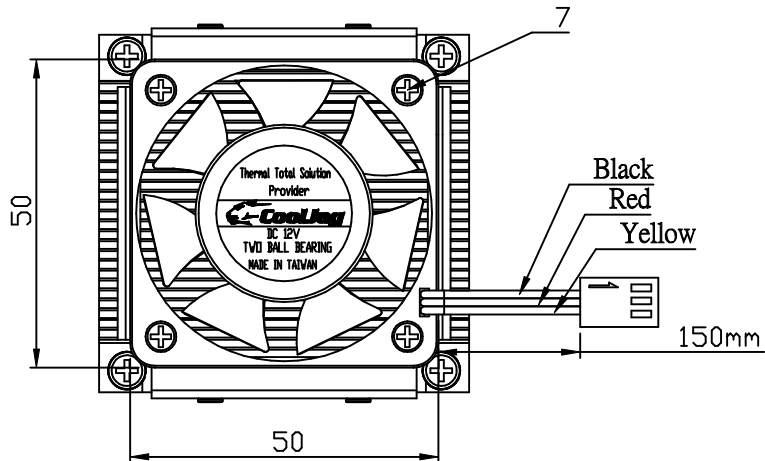


GP



10.JAP118E	7762 相化/25*25*0.13	1
9.JAT222	Backplate	1
8.JAS078C	SCREW	4
7.JAS326C	SCREW	4
6.JAX0051	□-Ring	4
5.JAS102C-2	SPRING	4
4.JAS152C	Screw/SAE1018/M2.5	4
3.JAF505010H3	FAN50*50*10/5400RPM	1
2.JAW184	FAN COVER/AL5052	1
1.JAHD01A	HS/AL1110/60*58*13.2	1
P/N	DESCRIPTION	QTY

RANGE	TOL±
UNDER 6	0.18
6~10	0.22
10~18	0.27
18~30	0.33
30~50	0.39
50~80	0.46
80~120	0.54
120~250	0.63
250 OVER	0.8
ANG TOL±	1°

REV	DESCRIPTION	DATE
	REVISION HISTORY	

MATERIAL: -- FINISH: -- REV: --

CHIA CHERNE INDUSTRY CO., LTD.
CoolJag TEL: +886 4 7323090 FAX: +886 4 7383155

DRN	BETH	01/11 2010	P/N: JACDD01A	SCALE: 1 : 5
CHK			TITLE: COOLER (PGA-989)	UNIT: M/M
APP				