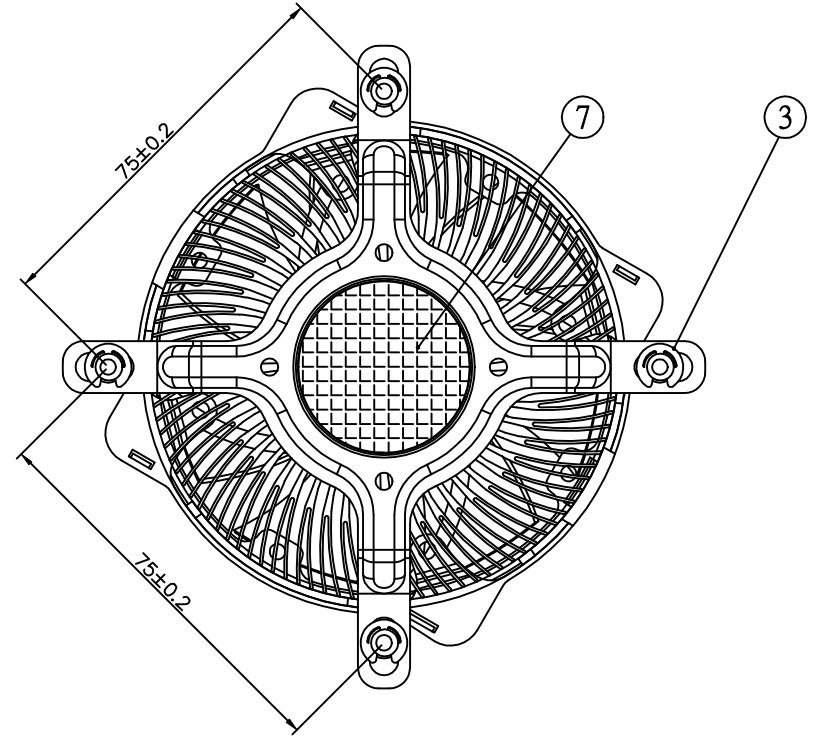
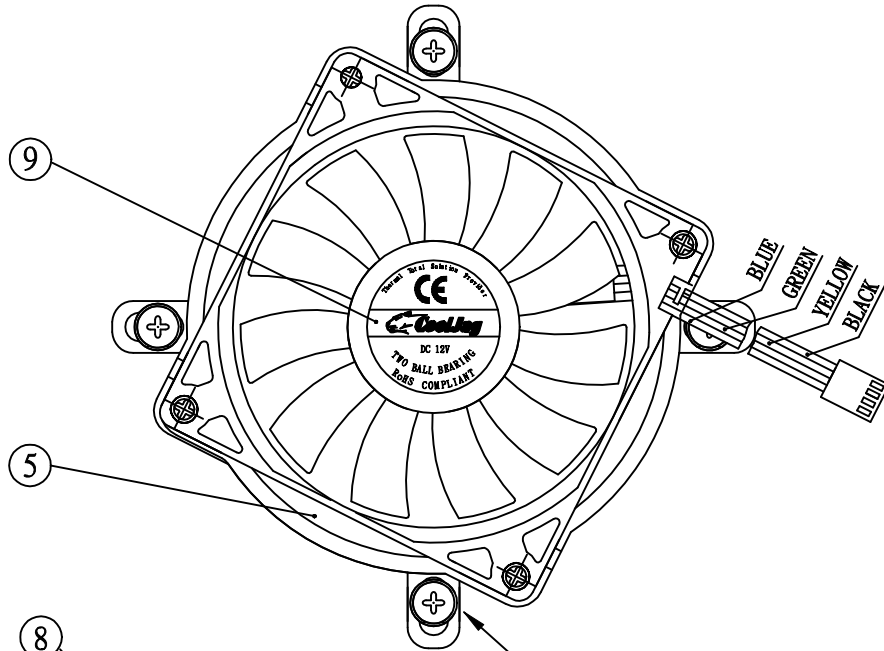
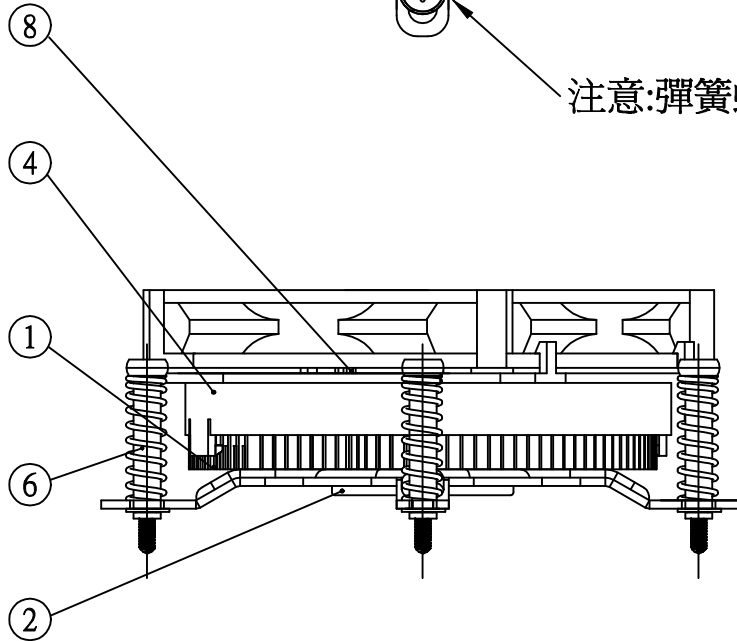


# GP



注意:彈簧螺絲組裝處在中間



NOTE:

1. DEBURR AND BREAK ALL SHARP EDGES.
2. BOTTOM DIAGONAL FLATNESS <  $\pm 0.05$  mm
3. 風扇出線方向請依照 SOP 組裝

| TOLERANCE TABLE<br>(UNLESS OTHERWISE SPECIFIED) |      |
|---|------|
| RANGE   | TOL± |
| UNDER 6   | 0.18 |
| 6~10  | 0.22 |
| 10~18   | 0.27 |
| 18~30   | 0.33 |
| 30~50   | 0.39 |
| 50~80   | 0.46 |
| 80~120  | 0.54 |
| 120~250   | 0.63 |
| 250 OVER  | 0.8  |
| ANG TOL±  | 1°   |

| P/N            | DESCRIPTION                      | QTY  |
|----------------|----------------------------------|------|
| 1. --          | Heatsink                         | 1    |
| 2. --          | Cu Core                          | 1    |
| 3. --          | Bracket                          | 1    |
| 4. --          | Fan Cover                        | 1    |
| 5. JAF808015H4 | PWM Fan                          | 1    |
| 6. --          | Spring Screw Kit                 | 4    |
| 7. --          | Thermal Grease SC-102- $\phi 33$ | 0.25 |
| 8. JAS242F     | Washer                           | 4    |
| 9. PTJA99      | Fan Label                        | 1    |

|     |       |               |        |                              |        |     |
|-----|-------|---------------|--------|------------------------------|--------|-----|
| DRN | Fanny | 01/17<br>2011 | P/N:   | <b>JYC8L05AGC-D-001</b>      | SCALE: | --  |
| CHK |       |               | TITLE: | COOLER For 1156<br>(75*75mm) | UNIT:  | M/M |
| APP |       |               |        |                              |        |     |

| REV | DESCRIPTION      | DATE |
|-----|------------------|------|
|     | REVISION HISTORY |      |

CHIA CHERNE INDUSTRY CO., LTD.  
**CoolJag**  
 TEL: +886 4 7323090  
 FAX: +886 4 7383155



1 2 3 4 5 6 7 8

A

B

C

D

E

F

G

H

A

B

C

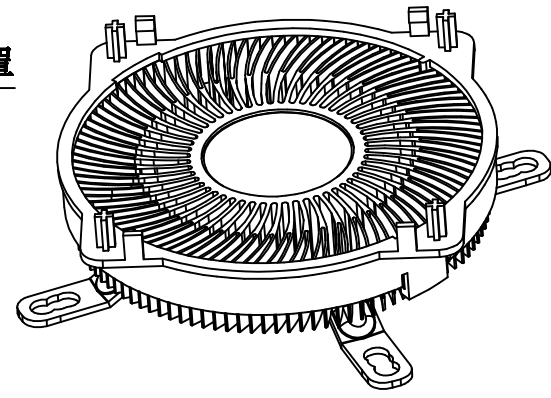
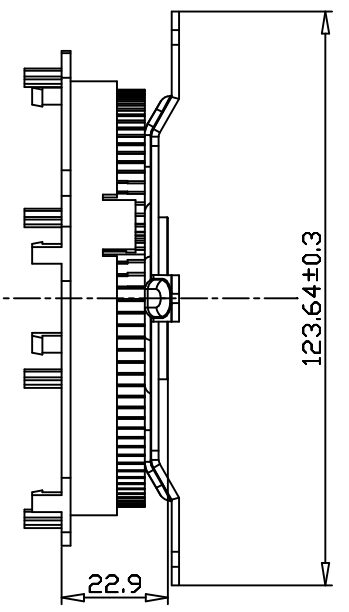
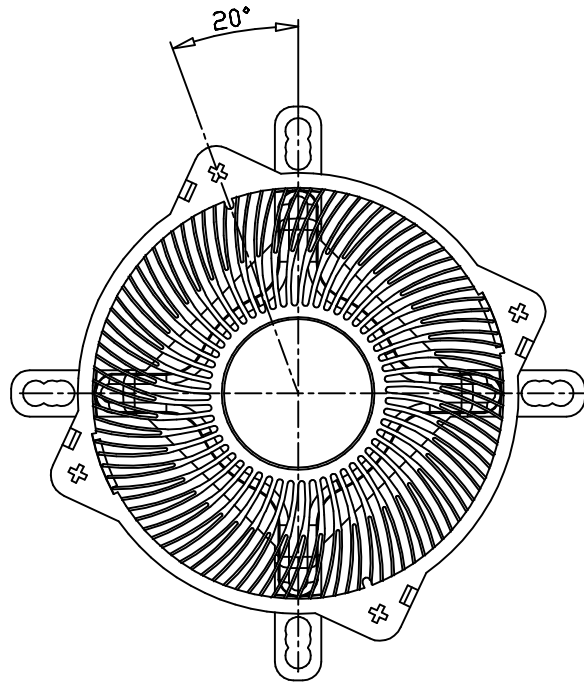
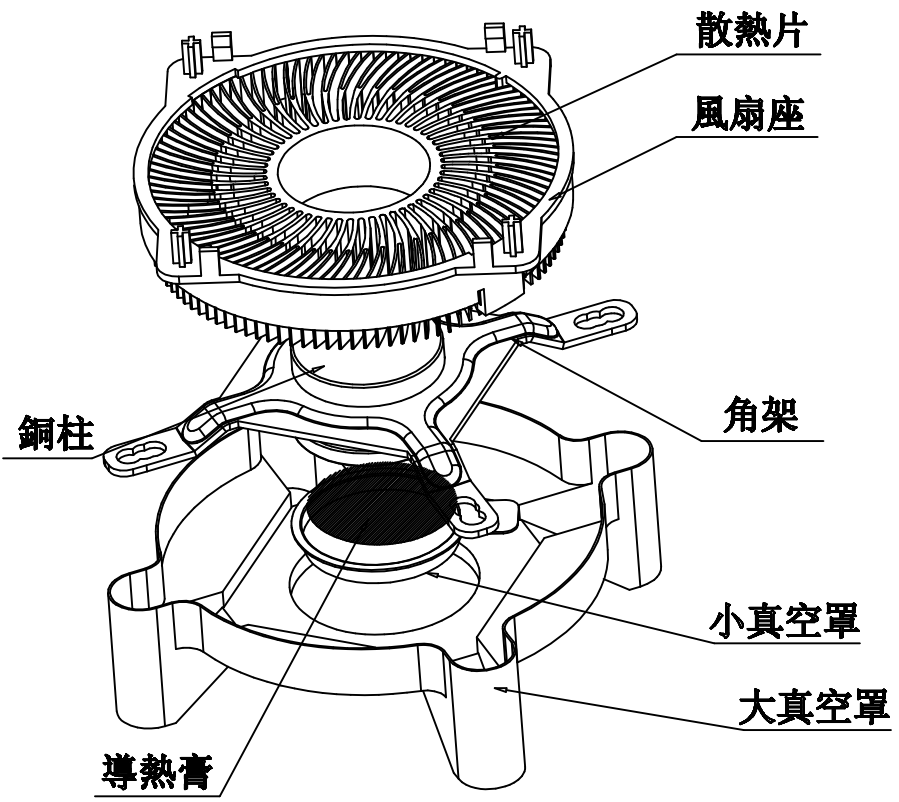
D

E

F

G

H



| TOLERANCE TABLE<br>(UNLESS OTHERWISE SPECIFIED) |      |
|---|------|
| RANGE   | TOL± |
| UNDER 6   | 0.18 |
| 6~10  | 0.22 |
| 10~18   | 0.27 |
| 18~30   | 0.33 |
| 30~50   | 0.39 |
| 50~80   | 0.46 |
| 80~120  | 0.54 |
| 120~250   | 0.63 |
| 250 OVER  | 0.8  |
| ANG TOL±  | 1°   |

| REV              | DESCRIPTION | DATE |
|------------------|-------------|------|
| REVISION HISTORY |             |      |

|               |             |         |
|---------------|-------------|---------|
| MATERIAL: --- | FINISH: --- | REV: -- |
|               |             |         |

|     |       |               |                   |            |
|-----|-------|---------------|-------------------|------------|
| DRN | FANNY | 09/23<br>2009 | P/N: JYC0L05AGC-A | SCALE: --- |
| CHK |       |               | TITLE: COOLER     | UNIT: M/M  |
| APP |       |               | 組裝圖005-T5         |            |

1 2 3 4 5 6 7 8