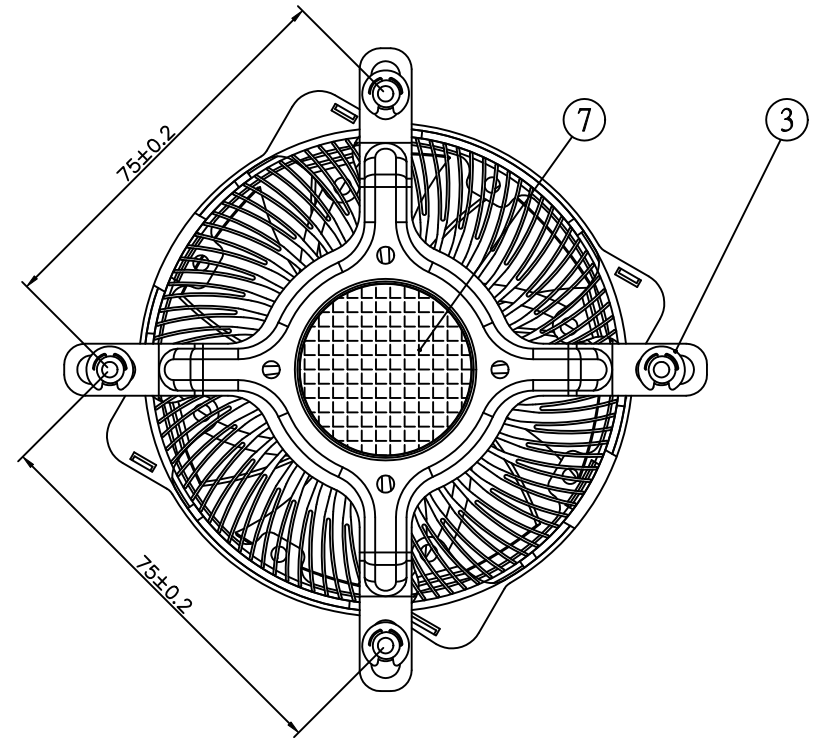
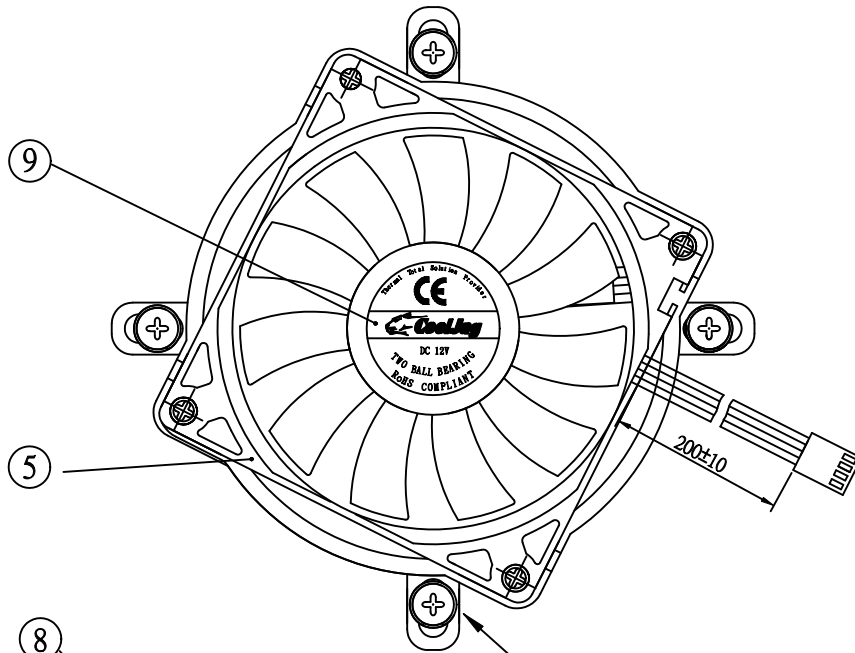
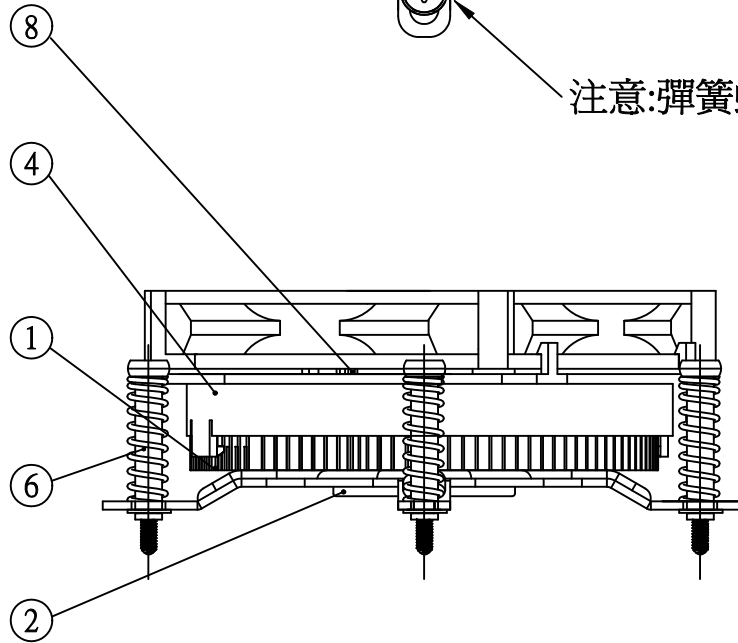


# GP



注意:彈簧螺絲組裝處在中間



NOTE:

1. DEBURR AND BREAK ALL SHARP EDGES.
2. BOTTOM DIAGONAL FLATNESS <math>< \pm 0.05 \text{ mm}</math>
3. 風扇出線方向需注意

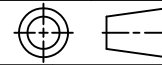
1.	--	Heatsink	1
2.	--	Cu Core	1
3.	--	Bracket	1
4.	--	Fan Cover	1
5.	JAF808015P2	PWM Fan	1
6.	--	Spring Screw Kit	4
7.	--	Thermal Grease SC-102- $\phi 33$	0.25
8.	JAS278F	Washer	4
9.	PTJA99	Fan Label	1
	P/N	DESCRIPTION	QTY

RANGE	TOL ±
UNDER 6	0.18
6~10	0.22
10~18	0.27
18~30	0.33
30~50	0.39
50~80	0.46
80~120	0.54
120~250	0.63
250 OVER	0.8
ANG TOL ±	1°

REV	DESCRIPTION	DATE
	REVISION HISTORY	

MATERIAL: -- FINISH: -- REV: --

**CHIA CHERNE INDUSTRY CO., LTD.**  
 TEL: +886 4 7323090  
 FAX: +886 4 7383155



DRN	KO	10/14 2011	P/N: JYCCL05AGC-0-001	SCALE: --
CHK			TITLE: COOLER For 1156 (75*75mm)	UNIT: M/M
APP				

1 2 3 4 5 6 7 8

A

B

C

D

E

F

G

H

A

B

C

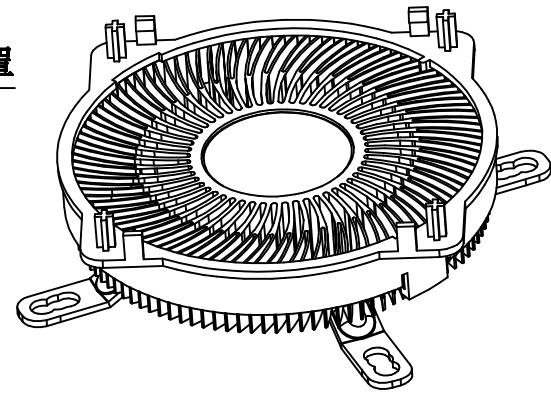
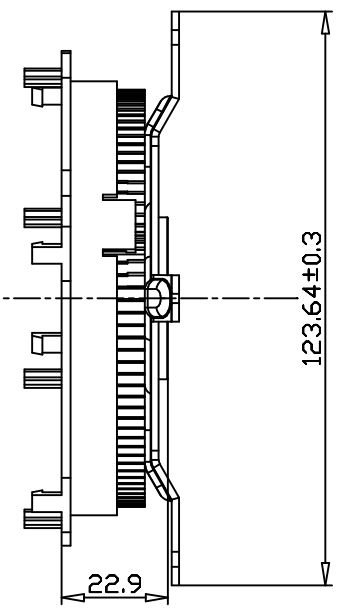
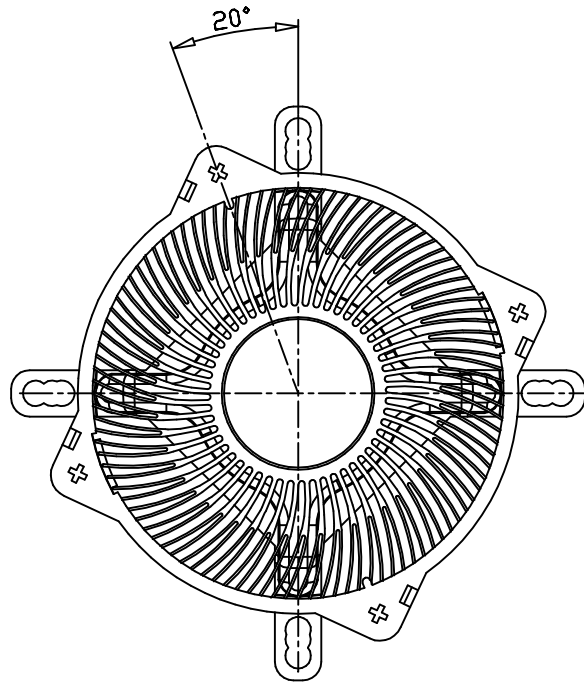
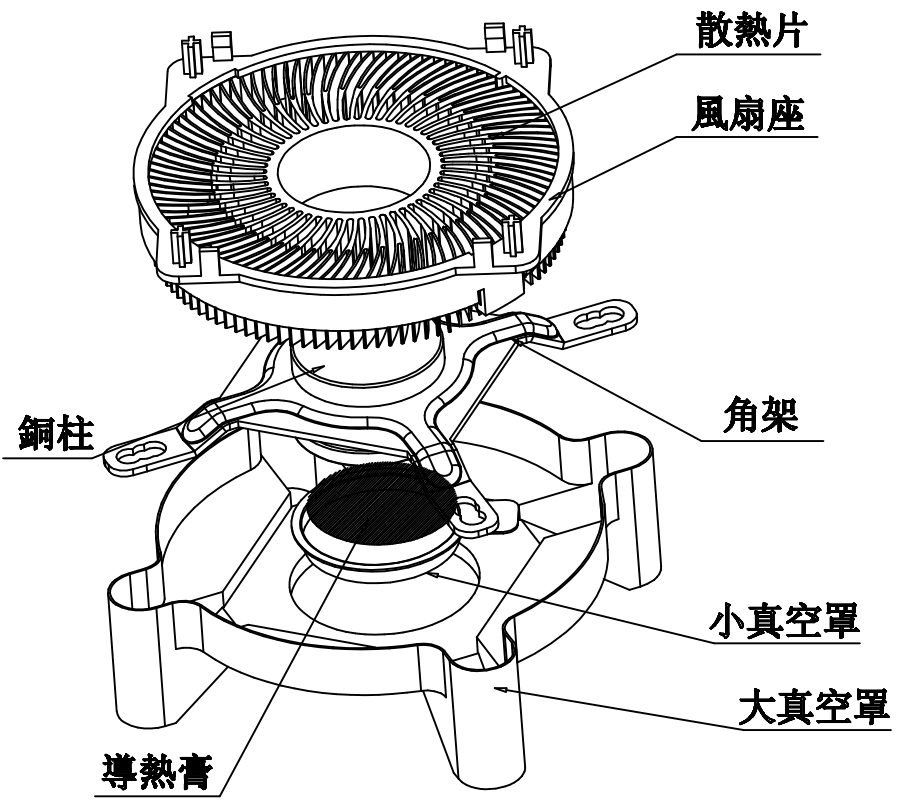
D

E

F

G

H



TOLERANCE TABLE (UNLESS OTHERWISE SPECIFIED)	
RANGE	TOL±
UNDER 6	0.18
6~10	0.22
10~18	0.27
18~30	0.33
30~50	0.39
50~80	0.46
80~120	0.54
120~250	0.63
250 OVER	0.8
ANG TOL±	1°

REV	DESCRIPTION	DATE
REVISION HISTORY		

MATERIAL: ---	FINISH: ---	REV: --
CHIA CHIENG INDUSTRY CO., LTD. TEL: +886 4 7323090 FAX: +886 4 7383155		

DRN	FANNY	09/23 2009	P/N: JYC0L05AGC-A	SCALE: ---
CHK			TITLE: COOLER	UNIT: M/M
APP			組裝圖005-T5	

1 2 3 4 5 6 7 8