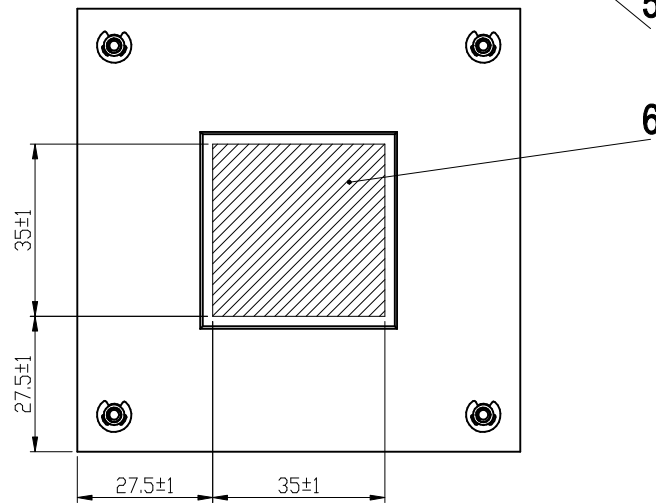
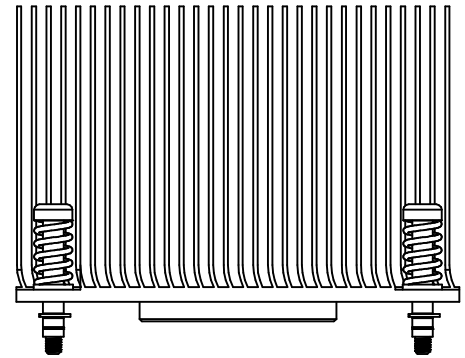
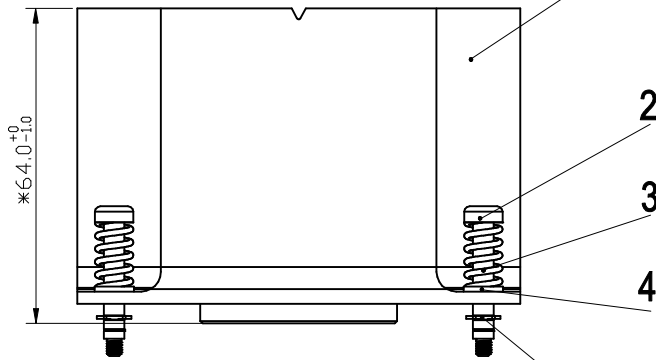
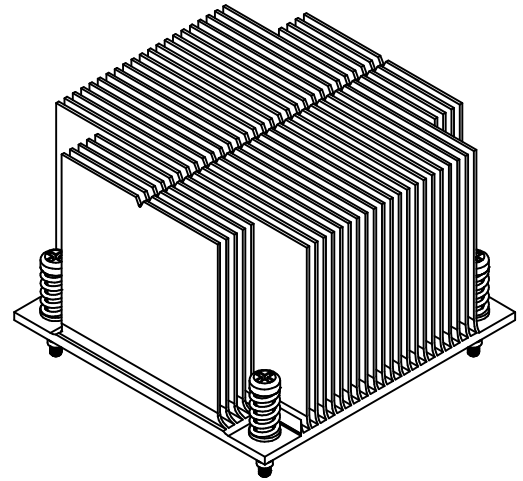
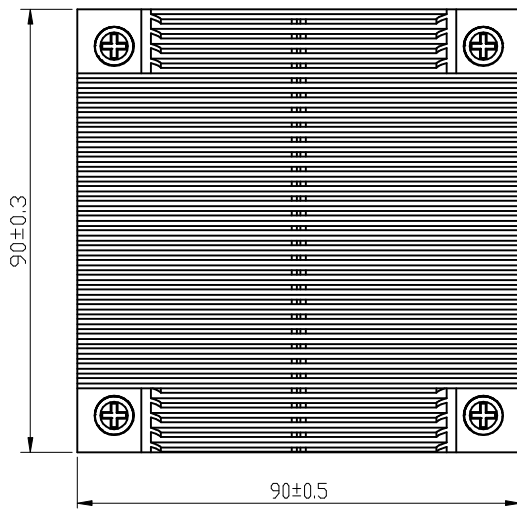


GP



NOTE:

- 1. The Fin Pitch is 3.0mm °
- 2. The Fin Thickness is 0.9±0.1 mm °
- 3. Fin num:30±1fins °

TOLERANCE TABLE (UNLESS OTHERWISE SPECIFIED)	
RANGE	TOL ±
UNDER 6	0.18
6~10	0.22
10~18	0.27
18~30	0.33
30~50	0.39
50~80	0.46
80~120	0.54
120~250	0.63
250 OVER	0.8
ANG TOL ±	1°

REV	DESCRIPTION	DATE
REVISION HISTORY		

P/N	DESCRIPTION	QTY
6. JAP004G-1	X-23-7762/35*35mm	1
5. JAS052C-3	E-Ring	4
4. JAS031C-3	Washer	4
3. JAS175C-2	Spring	4
2. JAS175C-1	Screw M3*P-0.5mm	4
1. JAH16A	Heatsink AL 90*90*64mm	1

MATERIAL: ---	FINISH: ---	REV: ---	DRN	Tony	06/30 2010	P/N: JAC0L16A	SCALE: 1:1
CHIA CHERNE INDUSTRY CO., LTD. TEL: +886 4 7323090 FAX: +886 4 7383155			CHK			TITLE: COOLER	UNIT: M/M
			APP				