

## 3010

## 30x30x10MM

### General Specifications

- ◆ Material..... Frame: Plastic (UL94V-0)  
Impeller: Plastic (UL94V-0)  
Lead Wire: UL1571AWG#28 or Equivalent (+) Red, (-) Black
- ◆ Expected Life..... Ball Bearing 70,000hrs (40°C)  
Sleeve Bearing 30,000hrs (40°C)
- ◆ Temperature Range.... Operating Temperature -10°C~70°C (Non-condensing)  
Storage Temperature -40°C~70°C (Non-condensing)
- ◆ Safety Standards..... UL, TUV, RoHS, CE
- ◆ DC Fan Specials..... RD, FG, IP54

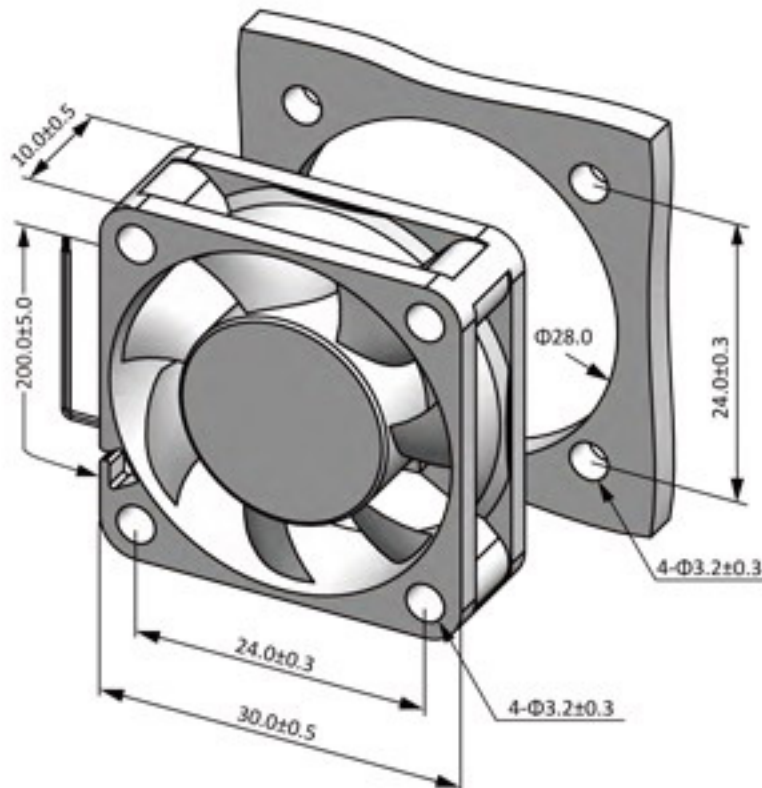


### Specifications

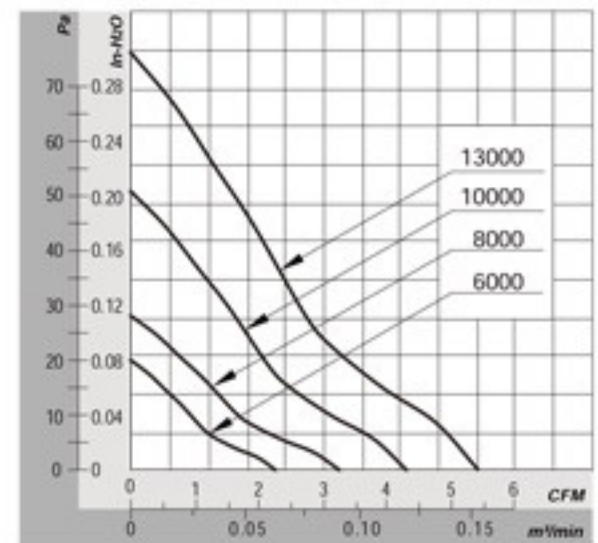
Model	Rev	#Bearing Type	Rated Voltage	Operating Voltage	Input Current	Input Power	Speed	Max Air Flow		Max Static Pressure		Noise	Weight
Part No.	XXX	B	VDC	VDC	Amp	Watt	RPM	CFM	m <sup>3</sup> /min	Inch-H <sub>2</sub> O	Pa	dB-A	g
DA03010#05U	B01	B.S	5	3.5~5.5	0.26	1.30	13000	5.40	0.15	0.30	75.28	37.0	8.0
DA03010#05H	B01	B.S	5	3.5~5.5	0.20	1.00	10000	4.24	0.12	0.20	49.21	29.0	8.0
DA03010#05M	B01	B.S	5	3.5~5.5	0.15	0.75	8000	3.19	0.09	0.11	26.96	24.0	8.0
DA03010#05L	B01	B.S	5	3.5~5.5	0.10	0.50	6000	2.25	0.06	0.08	19.92	21.0	8.0
DA03010#12U	B01	B.S	12	7.0~13.8	0.12	1.44	13000	5.40	0.15	0.30	75.28	37.0	8.0
DA03010#12H	B01	B.S	12	7.0~13.8	0.10	1.20	10000	4.24	0.12	0.20	49.21	29.0	8.0
DA03010#12M	B01	B.S	12	7.0~13.8	0.08	0.96	8000	3.19	0.09	0.11	26.96	24.0	8.0
DA03010#12L	B01	B.S	12	7.0~13.8	0.05	0.60	6000	2.25	0.06	0.08	19.92	21.0	8.0
DA03010#24U	B01	B.S	24	14.0~27.6	0.06	1.44	13000	5.40	0.15	0.30	75.28	37.0	8.0
DA03010#24H	B01	B.S	24	14.0~27.6	0.05	1.20	10000	4.24	0.12	0.20	49.21	29.0	8.0
DA03010#24M	B01	B.S	24	14.0~27.6	0.04	0.96	8000	3.19	0.09	0.11	26.96	24.0	8.0
DA03010#24L	B01	B.S	24	14.0~27.6	0.03	0.60	6000	2.25	0.06	0.08	19.92	21.0	8.0

All model could be customized on voltage or any other requirements to fit your need.

### Dimensions (Unit:mm)



### PQ Curve (At Rated Voltage)



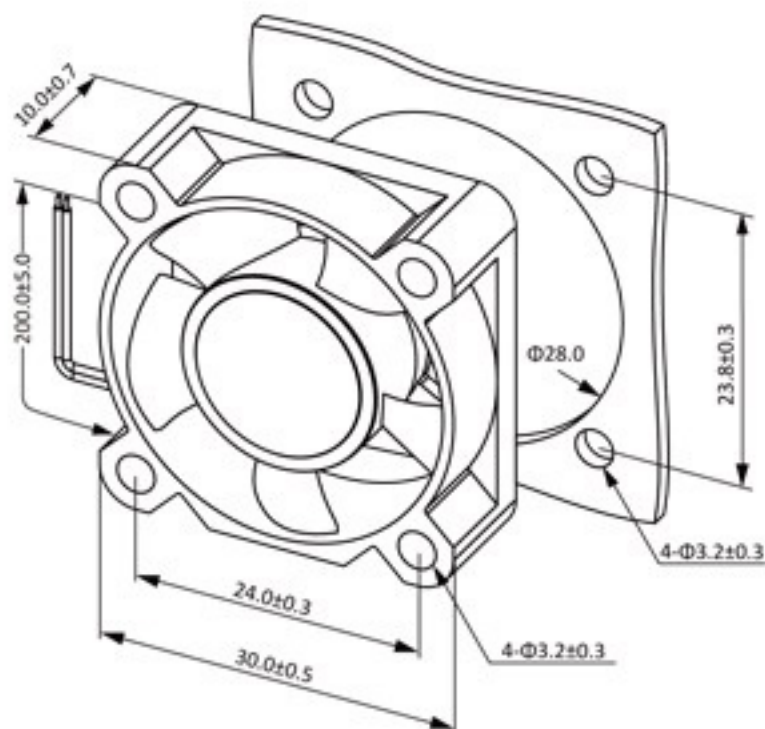
**3010**
**30x30x10MM**
**General Specifications**

- ◆ Material..... Frame: Plastic (UL94V-0)  
Impeller: Plastic (UL94V-0)  
Lead Wire: UL1571AWG#28 or Equivalent (+) Red, (-) Black
- ◆ Expected Life..... Ball Bearing 70,000hrs (40°C)  
Sleeve Bearing 30,000hrs (40°C)
- ◆ Temperature Range.... Operating Temperature -10°C~70°C (Non-condensing)  
Storage Temperature -40°C~70°C (Non-condensing)
- ◆ Safety Standards..... UL, TUV, RoHS, CE
- ◆ DC Fan Specials..... RD, FG, IP54


**Specifications**

Model	Rev	#Bearing Type	Rated Voltage	Operating Voltage	Input Current	Input Power	Speed	Max Air Flow		Max Static Pressure		Noise	Weight
Part No.	XXX	B	VDC	VDC	Amp	Watt	RPM	CFM	m <sup>3</sup> /min	Inch-H <sub>2</sub> O	Pa	dB-A	g
DA03010#05U		B.5	5	3.5~5.5	0.26	1.30	12000	5.07	0.14	0.27	67.44	34.0	8.0
DA03010#05H		B.5	5	3.5~5.5	0.20	1.00	10000	4.24	0.12	0.20	49.21	29.0	8.0
DA03010#05M		B.5	5	3.5~5.5	0.15	0.75	8000	3.19	0.09	0.11	26.96	24.0	8.0
DA03010#05L		B.5	5	3.5~5.5	0.10	0.50	6000	2.25	0.06	0.08	19.92	21.0	8.0
DA03010#12U		B.5	12	7.0~13.8	0.12	1.44	12000	5.07	0.14	0.27	67.44	34.0	8.0
DA03010#12H		B.5	12	7.0~13.8	0.10	1.20	10000	4.24	0.12	0.20	49.21	29.0	8.0
DA03010#12M		B.5	12	7.0~13.8	0.08	0.96	8000	3.19	0.09	0.11	26.96	24.0	8.0
DA03010#12L		B.5	12	7.0~13.8	0.05	0.60	6000	2.25	0.06	0.08	19.92	21.0	8.0
DA03010#24U		B.5	24	14.0~17.6	0.06	1.44	12000	5.07	0.14	0.27	67.44	34.0	8.0
DA03010#24H		B.5	24	14.0~17.6	0.05	1.20	10000	4.24	0.12	0.20	49.21	29.0	8.0
DA03010#24M		B.5	24	14.0~17.6	0.04	0.96	8000	3.19	0.09	0.11	26.96	24.0	8.0
DA03010#24L		B.5	24	14.0~17.6	0.03	0.60	6000	2.25	0.06	0.08	19.92	21.0	8.0

All model could be customized on voltage or any other requirements to fit your need.

**Dimensions (Unit:mm)**

**PQ Curve (At Rated Voltage)**
