

4020

40x40x20MM

General Specifications

- ◆ Material..... Frame: Plastic (UL94V-0)
Impeller: Plastic (UL94V-0)
Lead Wire: UL1007AWG#26 or Equivalent (+) Red, (-) Black
- ◆ Expected Life..... Ball Bearing 70,000hrs (40°C)
Sleeve Bearing 30,000hrs (40°C)
- ◆ Temperature Range.... Operating Temperature -10°C~70°C (Non-condensing)
Storage Temperature -40°C~70°C (Non-condensing)
- ◆ Safety Standards..... UL, TUV, RoHS, CE
- ◆ DC Fan Specials..... RD, FG, PWM, IP56

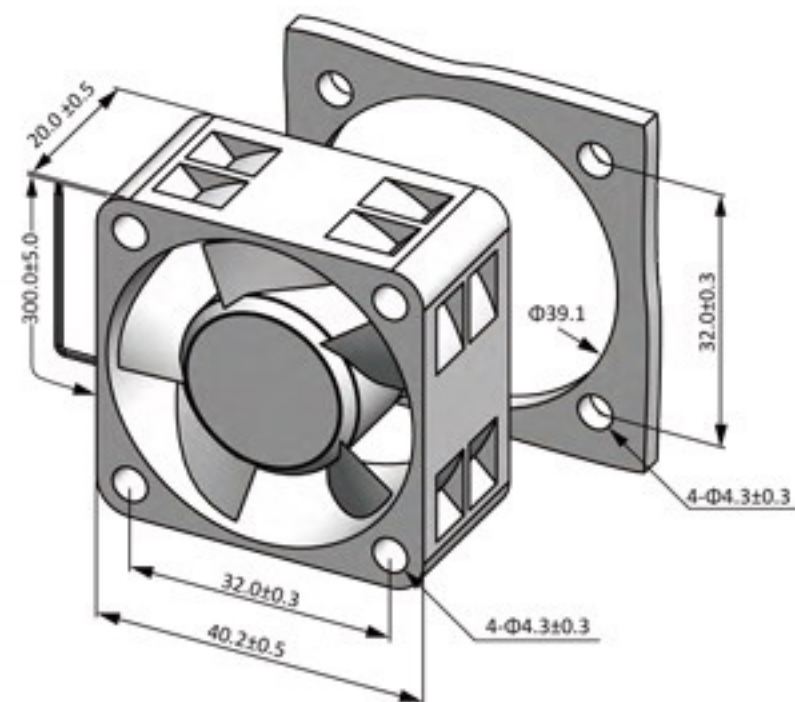


Specifications

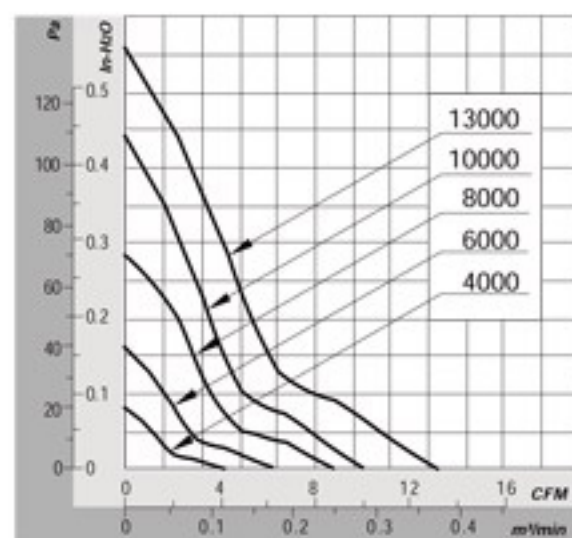
Model	Rev	#Bearing Type	Rated Voltage	Operating Voltage	Input Current	Input Power	Speed	Max Air Flow		Max Static Pressure		Noise	Weight
Part No.	XXX	B	VDC	VDC	Amp	Watt	RPM	CFM	m ³ /min	Inch-H ₂ O	Pa	dB-A	g
DA04020#05U	A01	B.S	5	3.5~5.5	0.60	3.00	13000	13.20	0.37	0.60	149.40	41.0	24.0
DA04020#05H	A01	B.S	5	3.5~5.5	0.40	2.00	10000	10.79	0.31	0.43	106.40	38.0	24.0
DA04020#05M	A01	B.S	5	3.5~5.5	0.25	1.25	8000	8.43	0.24	0.27	68.16	35.0	24.0
DA04020#05L	A01	B.S	5	3.5~5.5	0.18	0.90	6000	6.47	0.18	0.16	39.72	27.0	24.0
DA04020#05D	A01	B.S	5	3.5~5.5	0.10	0.50	4000	3.93	0.11	0.07	17.46	23.0	24.0
DA04020#12U	A01	B.S	12	7.0~13.8	0.26	3.12	13000	13.20	0.37	0.60	149.40	41.0	24.0
DA04020#12H	A01	B.S	12	7.0~13.8	0.16	1.92	10000	10.79	0.31	0.43	106.40	38.0	24.0
DA04020#12M	A01	B.S	12	7.0~13.8	0.13	1.56	8000	8.43	0.24	0.27	68.16	35.0	24.0
DA04020#12L	A01	B.S	12	7.0~13.8	0.08	0.96	6000	6.47	0.18	0.16	39.72	27.0	24.0
DA04020#12D	A01	B.S	12	7.0~13.8	0.05	0.60	4000	3.93	0.11	0.07	17.46	23.0	24.0
DA04020#24U	A01	B.S	24	14.0~27.6	0.13	3.12	13000	13.20	0.37	0.60	149.40	41.0	24.0
DA04020#24H	A01	B.S	24	14.0~27.6	0.12	2.88	10000	10.79	0.31	0.43	106.40	38.0	24.0
DA04020#24M	A01	B.S	24	14.0~27.6	0.08	1.92	8000	8.43	0.24	0.27	68.16	35.0	24.0
DA04020#24L	A01	B.S	24	14.0~27.6	0.05	1.20	6000	6.47	0.18	0.16	39.72	27.0	24.0

All model could be customized on voltage or any other requirements to fit your need.

Dimensions (Unit:mm)



PQ Curve (At Rated Voltage)



4020
40x40x20MM

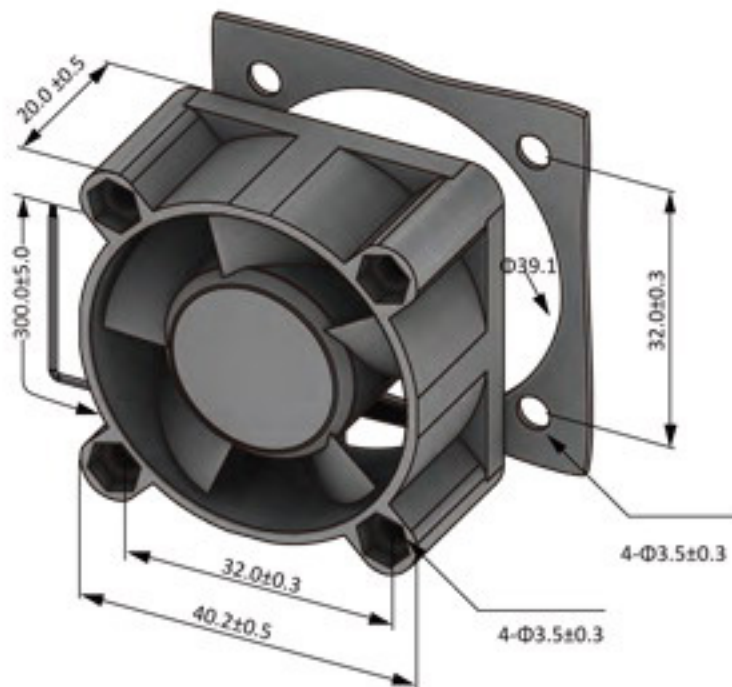
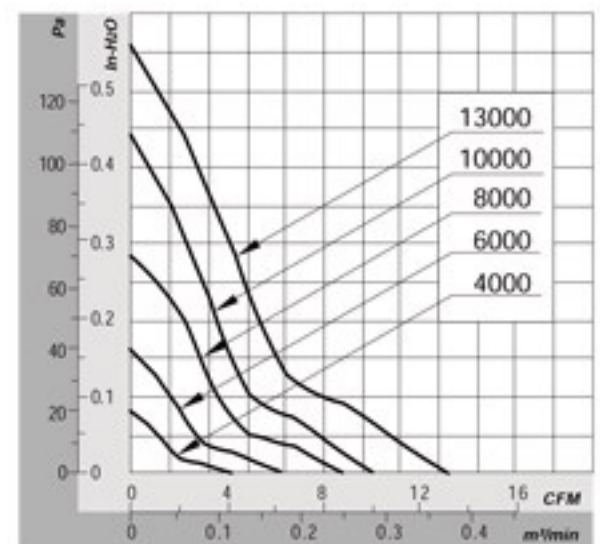
General Specifications

- ◆ Material..... Frame: Plastic (UL94V-0)
Impeller: Plastic (UL94V-0)
Lead Wire: UL1007AWG#26 or Equivalent (+) Red, (-) Black
- ◆ Expected Life..... Ball Bearing 70,000hrs (40°C)
Sleeve Bearing 30,000hrs (40°C)
- ◆ Temperature Range.... Operating Temperature -10°C~70°C (Non-condensing)
Storage Temperature -40°C~70°C (Non-condensing)
- ◆ Safety Standards..... UL, TUV, RoHS, CE
- ◆ DC Fan Specials..... RD, FG, PWM, IP56

Specifications

Model	Rev	#Bearing Type	Rated Voltage	Operating Voltage	Input Current	Input Power	Speed	Max Air Flow		Max Static Pressure		Noise	Weight
Part No.	XXX	B	VDC	VDC	Amp	Watt	RPM	CFM	m ³ /min	Inch-H ₂ O	Pa	dB-A	g
DA04020#05U		B.S	5	3.5~5.5	0.60	3.00	13000	13.20	0.37	0.60	149.40	41.0	24.0
DA04020#05H		B.S	5	3.5~5.5	0.40	2.00	10000	10.79	0.31	0.43	106.40	38.0	24.0
DA04020#05M		B.S	5	3.5~5.5	0.25	1.25	8000	8.43	0.24	0.27	68.16	35.0	24.0
DA04020#05L		B.S	5	3.5~5.5	0.18	0.90	6000	6.47	0.18	0.16	39.72	27.0	24.0
DA04020#05D		B.S	5	3.5~5.5	0.10	0.50	4000	3.93	0.11	0.07	17.46	23.0	24.0
DA04020#12U		B.S	12	7.0~13.8	0.26	3.12	13000	13.20	0.37	0.60	149.40	41.0	24.0
DA04020#12H		B.S	12	7.0~13.8	0.16	1.92	10000	10.79	0.31	0.43	106.40	38.0	24.0
DA04020#12M		B.S	12	7.0~13.8	0.13	1.56	8000	8.43	0.24	0.27	68.16	35.0	24.0
DA04020#12L		B.S	12	7.0~13.8	0.08	0.96	6000	6.47	0.18	0.16	39.72	27.0	24.0
DA04020#12D		B.S	12	7.0~13.8	0.05	0.60	4000	3.93	0.11	0.07	17.46	23.0	24.0
DA04020#24U		B.S	24	14.0~27.6	0.13	3.12	13000	13.20	0.37	0.60	149.40	41.0	24.0
DA04020#24H		B.S	24	14.0~27.6	0.12	2.88	10000	10.79	0.31	0.43	106.40	38.0	24.0
DA04020#24M		B.S	24	14.0~27.6	0.08	1.92	8000	8.43	0.24	0.27	68.16	35.0	24.0
DA04020#24L		B.S	24	14.0~27.6	0.05	1.20	6000	6.47	0.18	0.16	39.72	27.0	24.0

All model could be customized on voltage or any other requirements to fit your need.

Dimensions (Unit:mm)

PQ Curve (At Rated Voltage)


4020

40x40x20MM



General Specifications

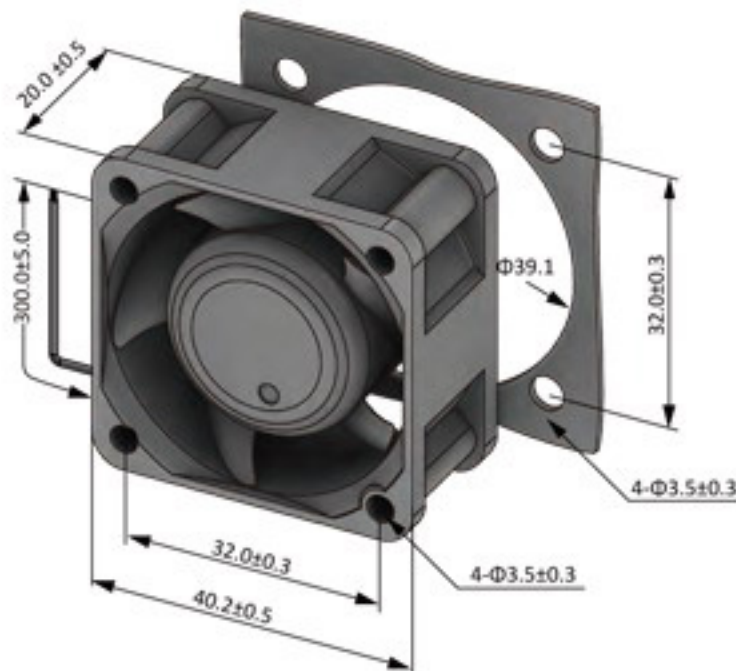
- ◆ Material..... Frame: Plastic (UL94V-0)
Impeller: Plastic (UL94V-0)
Lead Wire: UL1007AWG#26 or Equivalent (+) Red, (-) Black
- ◆ Expected Life..... Ball Bearing 70,000hrs (40°C)
Sleeve Bearing 30,000hrs (40°C)
- ◆ Temperature Range.... Operating Temperature -10°C~70°C (Non-condensing)
Storage Temperature -40°C~70°C (Non-condensing)
- ◆ Safety Standards..... UL, TUV, RoHS, CE
- ◆ DC Fan Specials..... RD, FG, PWM, IP56

Specifications

Model	Rev	#Bearing Type	Rated Voltage	Operating Voltage	Input Current	Input Power	Speed	Max Air Flow		Max Static Pressure		Noise	Weight
Part No.	XXX	B	VDC	VDC	Amp	Watt	RPM	CFM	m ³ /min	Inch-H ₂ O	Pa	dB-A	g
DA04020#05U	D01	B.5	5	3.5~5.5	0.60	3.00	13000	14.42	0.40	0.77	191.73	42.2	24.0
DA04020#05H	D01	B.5	5	3.5~5.5	0.40	2.00	10000	11.16	0.32	0.51	127.80	39.3	24.0
DA04020#05M	D01	B.5	5	3.5~5.5	0.25	1.25	8000	8.75	0.25	0.32	80.72	31.9	24.0
DA04020#05L	D01	B.5	5	3.5~5.5	0.18	0.90	6000	6.41	0.18	0.18	44.04	24.1	24.0
DA04020#05D	D01	B.5	5	3.5~5.5	0.10	0.50	4000	4.20	0.12	0.08	20.40	17.7	24.0
DA04020#12U	D01	B.5	12	7.0~13.8	0.26	3.12	13000	14.42	0.40	0.77	191.73	42.2	24.0
DA04020#12H	D01	B.5	12	7.0~13.8	0.16	1.92	10000	11.16	0.32	0.51	127.80	39.3	24.0
DA04020#12M	D01	B.5	12	7.0~13.8	0.13	1.56	8000	8.75	0.25	0.32	80.72	31.9	24.0
DA04020#12L	D01	B.5	12	7.0~13.8	0.08	0.96	6000	6.41	0.18	0.18	44.04	24.1	24.0
DA04020#12D	D01	B.5	12	7.0~13.8	0.05	0.60	4000	4.20	0.11	0.08	20.40	17.7	24.0
DA04020#24U	D01	B.5	24	14.0~27.6	0.13	3.12	13000	14.42	0.40	0.77	191.73	42.2	24.0
DA04020#24H	D01	B.5	24	14.0~27.6	0.12	2.88	10000	11.16	0.32	0.51	127.80	39.3	24.0
DA04020#24M	D01	B.5	24	14.0~27.6	0.08	1.92	8000	8.75	0.25	0.32	80.72	24.1	24.0
DA04020#24L	D01	B.5	24	14.0~27.6	0.05	1.20	6000	6.41	0.18	0.18	44.04	24.1	24.0

All model could be customized on voltage or any other requirements to fit your need.

Dimensions (Unit:mm)



PQ Curve (At Rated Voltage)

