

4028Z

40x40x28MM

General Specifications

- ◆ Material..... Frame: Plastic (UL94V-0)
Impeller: Plastic (UL94V-0)
Lead Wire: UL1007AWG#24 or Equivalent (+) Red, (-) Black
- ◆ Expected Life..... Ball Bearing 70,000hrs (40°C)
- ◆ Temperature Range.... Operating Temperature -10°C~70°C (Non-condensing)
Storage Temperature -40°C~70°C (Non-condensing)
- ◆ Safety Standards..... UL, TUV, RoHS, CE
- ◆ DC Fan Specials..... RD, FG, PWM, IP56

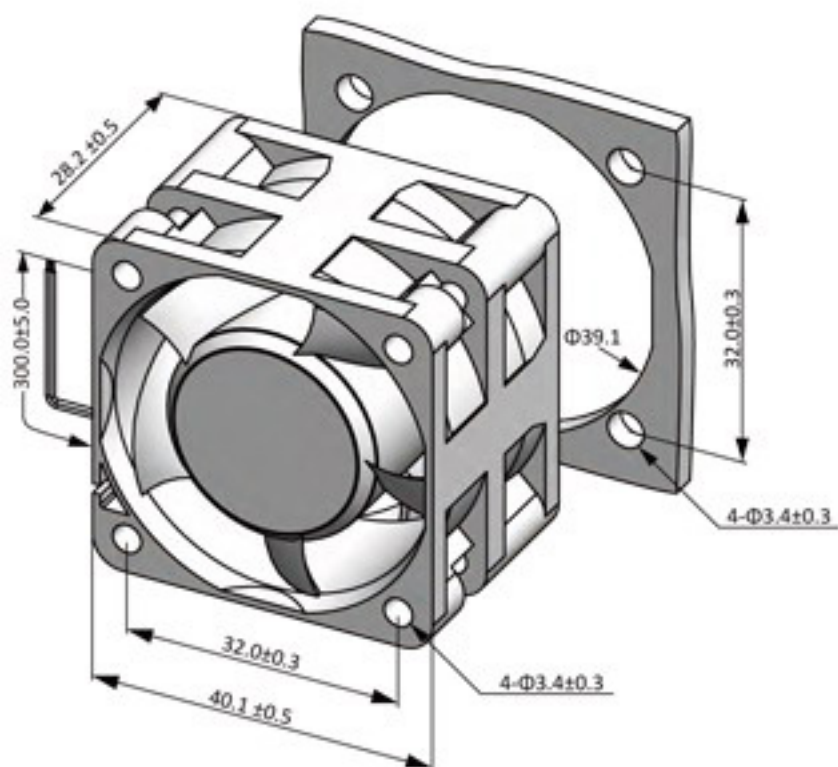


Specifications

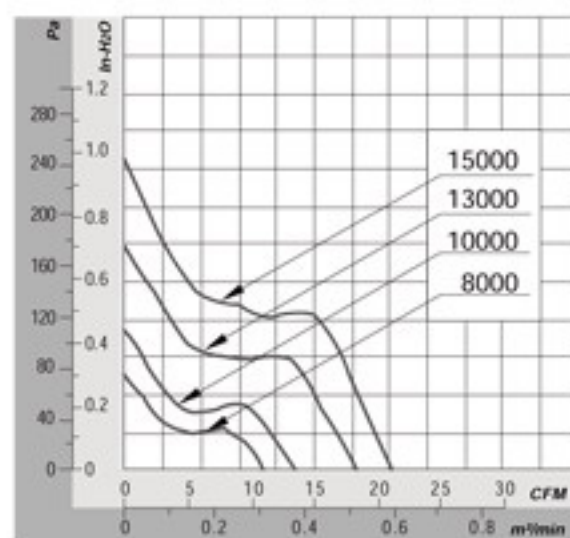
Model	Rev	#Bearing Type	Rated Voltage	Operating Voltage	Input Current	Input Power	Speed	Max Air Flow		Max Static Pressure		Noise	Weight
Part No.	XXX	B	VDC	VDC	Amp	Watt	RPM	CFM	m ³ /min	Inch-H ₂ O	Pa	dB-A	g
DZ04028#12H		B.S	12	7.0~13.8	0.65	7.80	15000	21.45	0.61	0.98	244.77	58.0	40.0
DZ04028#12M		B.S	12	7.0~13.8	0.45	5.40	13000	18.30	0.52	0.70	175.34	50.0	40.0
DZ04028#12L		B.S	12	7.0~13.8	0.25	3.00	10000	13.40	0.38	0.42	105.42	42.0	40.0
DZ04028#12D		B.S	12	7.0~13.8	0.17	2.04	8000	10.94	0.31	0.29	73.26	39.0	40.0
DZ04028#24H		B.S	24	14.0~27.6	0.35	8.40	15000	21.45	0.61	0.98	244.77	58.0	40.0
DZ04028#24M		B.S	24	14.0~27.6	0.25	6.00	13000	18.30	0.52	0.70	175.34	50.0	40.0
DZ04028#24L		B.S	24	14.0~27.6	0.14	3.36	10000	13.40	0.38	0.42	105.42	42.0	40.0
DZ04028#24D		B.S	24	14.0~27.6	0.11	2.64	8000	10.94	0.31	0.29	73.26	39.0	40.0

All model could be customized on voltage or any other requirements to fit your need.

Dimensions (Unit:mm)



PQ Curve (At Rated Voltage)



4028Z

40x40x28MM

NEW



General Specifications

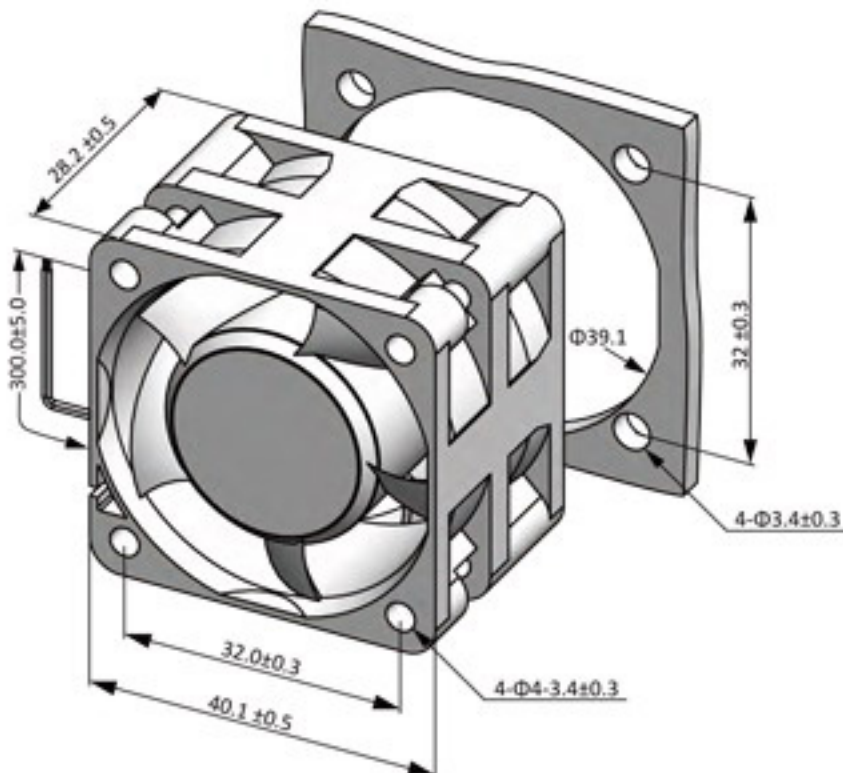
- ◆ Material..... Frame: Plastic (UL94V-0)
Impeller: Plastic (UL94V-0)
Lead Wire: UL1007AWG#24 or Equivalent (+) Red, (-) Black
- ◆ Expected Life..... Ball Bearing 70,000hrs (40°C)
- ◆ Temperature Range.... Operating Temperature -10°C~70°C (Non-condensing)
Storage Temperature -40°C~70°C (Non-condensing)
- ◆ Safety Standards..... UL, TUV, RoHS, CE
- ◆ DC Fan Specials..... RD, FG, PWM, IP56

Specifications

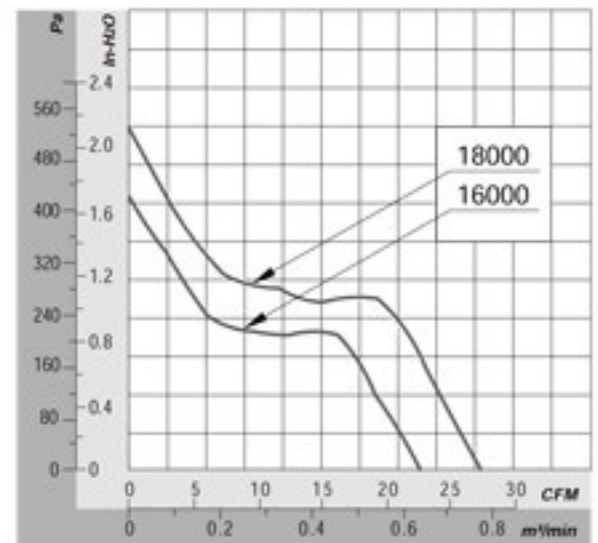
Model	Rev	#Bearing Type	Rated Voltage	Operating Voltage	Input Current	Input Power	Speed	Max Air Flow		Max Static Pressure		Noise	Weight
Part No.	XXX	B	VDC	VDC	Amp	Watt	RPM	CFM	m ³ /min	Inch-H ₂ O	Pa	dB-A	g
DZ04028#12U	A01	B	12	7.0~13.8	1.00	12.00	18000	27.05	0.77	2.11	525.39	58.5	48.0
DZ04028#12H	A01	B	12	7.0~13.8	0.65	7.80	16000	23.39	0.67	1.67	415.83	56.3	48.0
DZ04028#24U	A01	B	24	14.0~27.6	0.48	11.52	18000	27.05	0.77	2.11	525.39	58.5	48.0
DZ04028#24H	A01	B	24	14.0~27.6	0.35	8.40	16000	23.39	0.67	1.67	415.83	56.3	48.0

All model could be customized on voltage or any other requirements to fit your need.

Dimensions (Unit:mm)



PQ Curve (At Rated Voltage)



4028Z

40x40x28MM

DUST PROOF SERIES

NEW



General Specifications

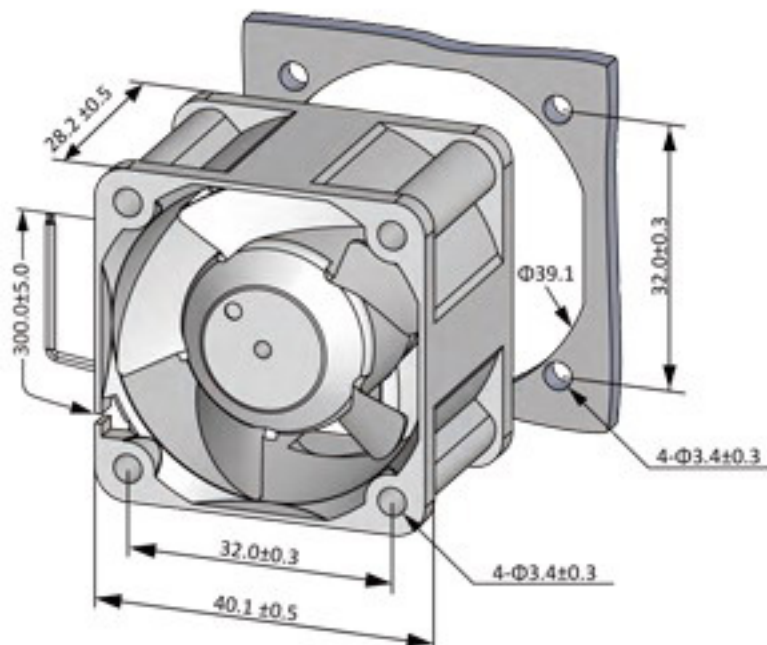
- ◆ Material..... Frame: Plastic (UL94V-0)
Impeller: Plastic (UL94V-0)
Lead Wire: UL1007AWG#24 or Equivalent (+) Red, (-) Black
- ◆ Expected Life..... Ball Bearing 70,000hrs (40°C)
- ◆ Temperature Range.... Operating Temperature -10°C~70°C (Non-condensing)
Storage Temperature -40°C~70°C (Non-condensing)
- ◆ Safety Standards..... UL, TUV, RoHS, CE
- ◆ DC Fan Specials..... RD, FG, PWM, IP56

Specifications

Model	Rev	#Bearing Type	Rated Voltage	Operating Voltage	Input Current	Input Power	Speed	Max Air Flow		Max Static Pressure		Noise	Weight
Part No.	XXX	B.S	VDC	VDC	Amp	Watt	RPM	CFM	m ³ /min	Inch-H ₂ O	Pa	dB-A	g
DZ04028#12H	B01	B	12	7.0~13.8	0.48	5.76	15000	24.45	0.69	1.18	293.02	55.1	40.0
DZ04028#12M	B01	B	12	7.0~13.8	0.35	4.20	13000	21.12	0.60	0.88	219.52	52.7	40.0
DZ04028#12L	B01	B	12	7.0~13.8	0.17	2.04	10000	16.29	0.46	0.52	129.36	44.0	40.0
DZ04028#12D	B01	B	12	7.0~13.8	0.12	1.44	8000	12.81	0.60	0.33	81.44	39.6	40.0
DZ04028#24H	B01	B	24	14.0~27.6	0.24	5.67	15000	24.45	0.69	1.18	293.02	55.1	40.0
DZ04028#24M	B01	B	24	14.0~27.6	0.15	3.60	13000	21.12	0.60	0.88	219.52	52.7	40.0
DZ04028#24L	B01	B	24	14.0~27.6	0.09	2.16	10000	16.29	0.46	0.52	129.36	44.0	40.0
DZ04028#24D	B01	B	24	14.0~27.6	0.05	1.20	8000	12.81	0.36	0.33	81.44	39.6	40.0

All model could be customized on voltage or any other requirements to fit your need.

Dimensions (Unit:mm)



PQ Curve (At Rated Voltage)

