

5015

50x50x15MM



General Specifications

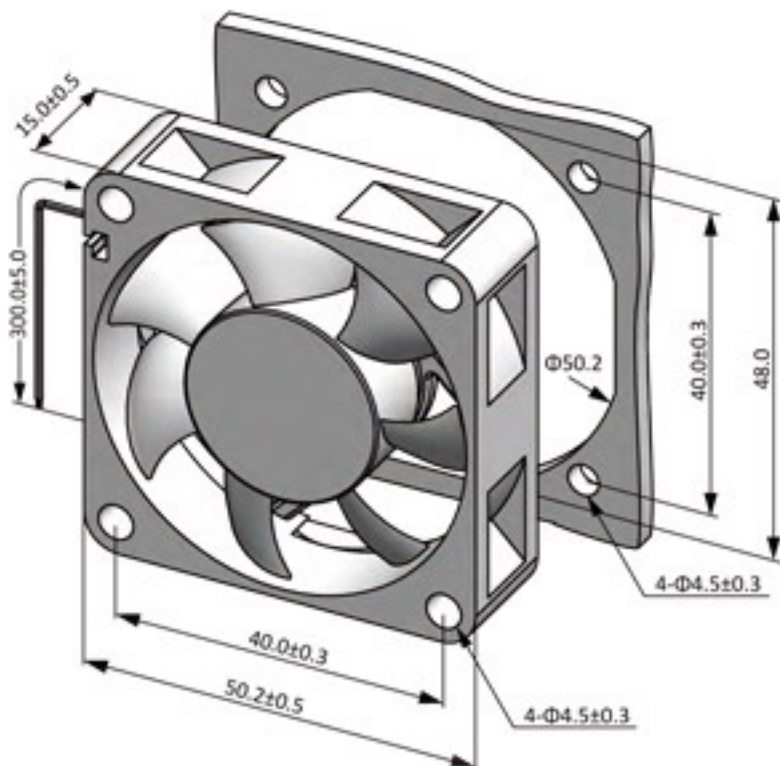
- ◆ Material..... Frame: Plastic (UL94V-0)
Impeller: Plastic (UL94V-0)
Lead Wire: UL1007AWG#26 or Equivalent (+) Red, (-) Black
- ◆ Expected Life..... Ball Bearing 70,000hrs (40°C)
Sleeve Bearing 30,000hrs (40°C)
- ◆ Temperature Range.... Operating Temperature -10°C~70°C (Non-condensing)
Storage Temperature -40°C~70°C (Non-condensing)
- ◆ Safety Standards..... UL, TUV, RoHS, CE
- ◆ DC Fan Specials..... RD, FG, IP56, PWM

Specifications

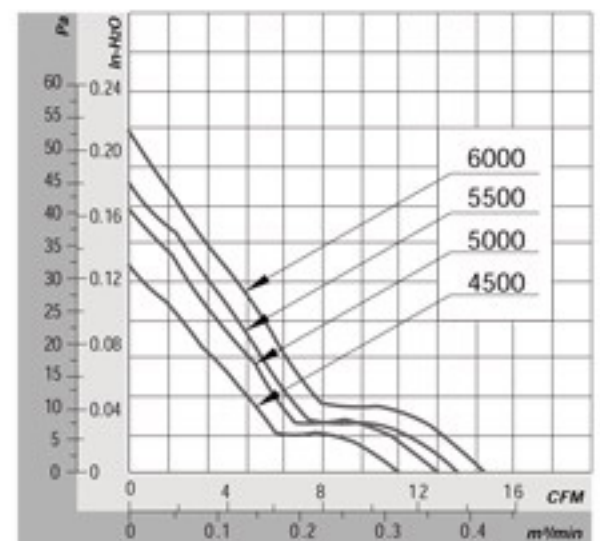
Model	Rev	#Bearing Type	Rated Voltage	Operating Voltage	Input Current	Input Power	Speed	Max Air Flow		Max Static Pressure		Noise	Weight
Part No.	XXX	B	VDC	VDC	Amp	Watt	RPM	CFM	m ³ /min	Inch-H ₂ O	Pa	dB-A	g
DA05015#05U		B.S	5	3.5~5.5	0.50	2.50	6000	14.74	0.42	0.21	52.76	34.7	29.0
DA05015#05H		B.S	5	3.5~5.5	0.35	1.75	5500	13.29	0.38	0.18	45.11	32.4	29.0
DA05015#05M		B.S	5	3.5~5.5	0.25	1.25	5000	12.86	0.36	0.16	40.89	30.1	29.0
DA05015#05L		B.S	5	3.5~5.5	0.20	1.00	4500	11.29	0.32	0.13	32.36	27.2	29.0
DA05015#12U		B.S	12	7.0~13.8	0.16	1.92	6000	14.74	0.42	0.21	52.76	34.7	29.0
DA05015#12H		B.S	12	7.0~13.8	0.14	1.68	5500	13.29	0.38	0.18	45.11	32.4	29.0
DA05015#12M		B.S	12	7.0~13.8	0.12	1.44	5000	12.86	0.36	0.16	40.89	30.1	29.0
DA05015#12L		B.S	12	7.0~13.8	0.10	1.20	4500	11.29	0.32	0.13	32.36	27.2	29.0
DA05015#24U		B.S	24	14.0~27.6	0.10	2.40	6000	14.74	0.42	0.21	52.76	34.7	29.0
DA05015#24H		B.S	24	14.0~27.6	0.08	1.92	5500	13.29	0.38	0.18	45.11	32.4	29.0
DA05015#24M		B.S	24	14.0~27.6	0.07	1.68	5000	12.86	0.36	0.16	40.89	30.1	29.0
DA05015#24L		B.S	24	14.0~27.6	0.06	1.44	4500	11.29	0.32	0.13	32.36	27.2	29.0

All model could be customized on voltage or any other requirements to fit your need.

Dimensions (Unit:mm)



PQ Curve (At Rated Voltage)



5015

50x50x15MM



General Specifications

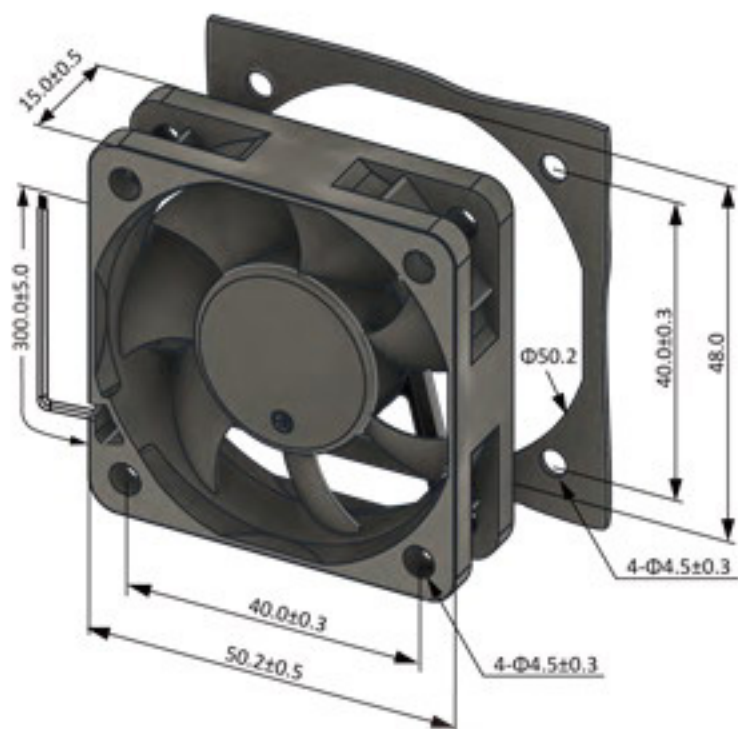
- ◆ Material..... Frame: Plastic (UL94V-0)
Impeller: Plastic (UL94V-0)
Lead Wire: UL1007AWG#26 or Equivalent (+) Red, (-) Black
- ◆ Expected Life..... Ball Bearing 70,000hrs (40°C)
Sleeve Bearing 30,000hrs (40°C)
- ◆ Temperature Range.... Operating Temperature -10°C~70°C (Non-condensing)
Storage Temperature -40°C~70°C (Non-condensing)
- ◆ Safety Standards..... UL, TUV, RoHS, CE
- ◆ DC Fan Specials..... RD, FG, IP56, PWM

Specifications

Model	Rev	#Bearing Type	Rated Voltage	Operating Voltage	Input Current	Input Power	Speed	Max Air Flow		Max Static Pressure		Noise	Weight
Part No.	XXX	B	VDC	VDC	Amp	Watt	RPM	CFM	m ³ /min	Inch-H ₂ O	Pa	dB-A	g
DA05015#05U	B01	B.5	5	3.5~5.5	0.65	3.25	7000	17.83	0.50	0.30	73.62	38.5	29.0
DA05015#05H	B01	B.5	5	3.5~5.5	0.50	2.50	6000	14.85	0.42	0.22	54.90	34.7	29.0
DA05015#05M	B01	B.5	5	3.5~5.5	0.35	1.75	5000	12.43	0.35	0.16	39.31	30.1	29.0
DA05015#05L	B01	B.5	5	3.5~5.5	0.25	1.25	4000	11.12	0.31	0.13	31.27	24.2	29.0
DA05015#12U	B01	B.5	12	7.0~13.8	0.18	2.16	7000	17.83	0.50	0.30	73.62	38.5	29.0
DA05015#12H	B01	B.5	12	7.0~13.8	0.16	1.92	6000	14.85	0.42	0.22	54.90	34.7	29.0
DA05015#12M	B01	B.5	12	7.0~13.8	0.14	1.68	5000	12.43	0.35	0.16	39.31	30.1	29.0
DA05015#12L	B01	B.5	12	7.0~13.8	0.12	1.44	4000	11.12	0.31	0.13	31.27	24.2	29.0
DA05015#24U	B01	B.5	24	14.0~27.6	0.12	2.88	7000	17.83	0.50	0.30	73.62	38.5	29.0
DA05015#24H	B01	B.5	24	14.0~27.6	0.10	2.40	6000	14.85	0.42	0.22	54.90	34.7	29.0
DA05015#24M	B01	B.5	24	14.0~27.6	0.08	1.92	5000	12.43	0.35	0.16	39.31	30.1	29.0
DA05015#24L	B01	B.5	24	14.0~27.6	0.07	1.68	4000	11.12	0.31	0.13	31.27	24.2	29.0

All model could be customized on voltage or any other requirements to fit your need.

Dimensions (Unit:mm)



PQ Curve (At Rated Voltage)

