

5025

50x50x25MM

General Specifications

- ◆ Material..... Frame: Plastic (UL94V-0)
Impeller: Plastic (UL94V-0)
Lead Wire: UL1007AWG#24 or Equivalent (+) Red, (-) Black
- ◆ Expected Life..... Ball Bearing 70,000hrs (40°C)
Sleeve Bearing 30,000hrs (40°C)
- ◆ Temperature Range.... Operating Temperature -10°C~70°C (Non-condensing)
Storage Temperature -40°C~70°C (Non-condensing)
- ◆ Safety Standards..... UL, TUV, RoHS, CE
- ◆ DC Fan Specials..... RD, FG, PWM,IP56

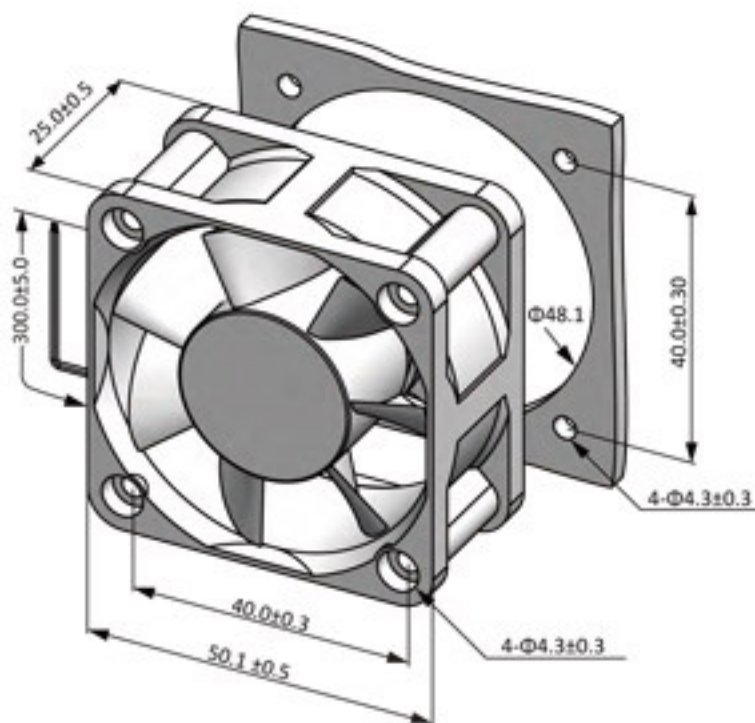


Specifications

Model	Rev	#Bearing Type	Rated Voltage	Operating Voltage	Input Current	Input Power	Speed	Max Air Flow		Max Static Pressure		Noise	Weight
Part No.	XXX	B	VDC	VDC	Amp	Watt	RPM	CFM	m ³ /min	Inch-H ₂ O	Pa	dB-A	g
DA05025#05L		B.S	5	3.5~5.5	0.24	1.20	4000	11.13	0.32	0.10	25.50	27.0	35.0
DA05025#05D		B.S	5	3.5~5.5	0.19	0.95	3000	7.50	0.21	0.06	14.81	23.0	35.0
DA05025#12H		B.S	12	7.0~13.8	0.22	2.64	6000	17.83	0.50	0.23	56.88	37.0	35.0
DA05025#12M		B.S	12	7.0~13.8	0.16	1.92	5000	14.43	0.41	0.16	40.31	31.0	35.0
DA05025#12L		B.S	12	7.0~13.8	0.12	1.44	4000	11.13	0.32	0.10	25.50	27.0	35.0
DA05025#12D		B.S	12	7.0~13.8	0.08	0.96	3000	7.50	0.21	0.06	14.81	23.0	35.0
DA05025#24H		B.S	24	14.0~27.6	0.17	4.08	6000	17.83	0.50	0.23	56.88	37.0	35.0
DA05025#24M		B.S	24	14.0~27.6	0.11	2.64	5000	14.43	0.41	0.16	40.31	31.0	35.0
DA05025#24L		B.S	24	14.0~27.6	0.09	2.16	4000	11.13	0.32	0.10	25.50	27.0	35.0

All model could be customized on voltage or any other requirements to fit your need.

Dimensions (Unit:mm)



PQ Curve (At Rated Voltage)

