

## 6010

## 60x60x10MM



### General Specifications

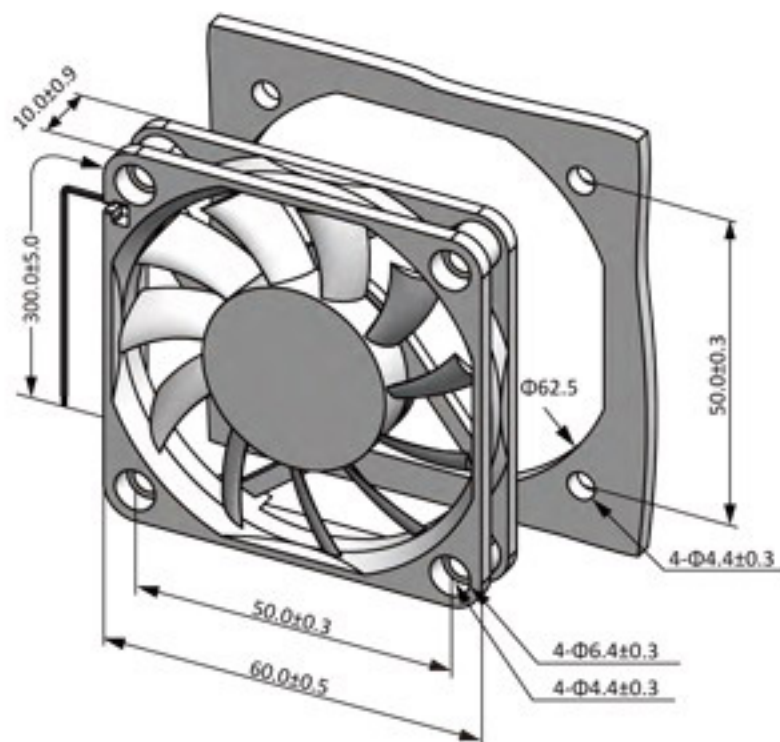
- ◆ Material..... Frame: Plastic (UL94V-0)  
Impeller: Plastic (UL94V-0)  
Lead Wire: UL1007AWG#26 or Equivalent (+) Red, (-) Black
- ◆ Expected Life..... Ball Bearing 70,000hrs (40°C)  
Sleeve Bearing 30,000hrs (40°C)
- ◆ Temperature Range.... Operating Temperature -10°C~70°C (Non-condensing)  
Storage Temperature -40°C~70°C (Non-condensing)
- ◆ Safety Standards..... UL, TUV, RoHS, CE
- ◆ DC Fan Specials..... RD, FG, IP56

### Specifications

Model	Rev	#Bearing Type	Rated Voltage	Operating Voltage	Input Current	Input Power	Speed	Max Air Flow		Max Static Pressure		Noise	Weight
Part No.	XXX	B	VDC	VDC	Amp	Watt	RPM	CFM	m <sup>3</sup> /min	Inch-H <sub>2</sub> O	Pa	dB-A	g
DA06010#05H		B.S	5	3.5~5.5	0.30	1.50	4000	14.43	0.41	0.16	40.31	32.0	26.0
DA06010#05M		B.S	5	3.5~5.5	0.17	0.85	3000	11.13	0.32	0.10	25.50	25.0	26.0
DA06010#05L		B.S	5	3.5~5.5	0.10	0.50	2000	7.50	0.21	0.06	14.81	22.0	26.0
DA06010#12U		B.S	12	7.0~13.8	0.28	3.36	5000	17.83	0.50	0.23	56.88	35.0	26.0
DA06010#12H		B.S	12	7.0~13.8	0.15	1.80	4000	14.43	0.41	0.16	40.31	32.0	26.0
DA06010#12M		B.S	12	7.0~13.8	0.08	0.96	3000	11.13	0.32	0.10	25.50	25.0	26.0
DA06010#12L		B.S	12	7.0~13.8	0.05	0.60	2000	7.50	0.21	0.06	14.81	22.0	26.0
DA06010#24H		B.S	24	14.0~27.6	0.15	3.60	4000	14.43	0.41	0.16	40.31	32.0	26.0
DA06010#24M		B.S	24	14.0~27.6	0.10	2.40	3000	11.13	0.32	0.10	25.50	25.0	26.0
DA06010#24L		B.S	24	14.0~27.6	0.05	1.20	2000	7.50	0.21	0.06	14.81	22.0	26.0

All model could be customized on voltage or any other requirements to fit your need.

### Dimensions (Unit:mm)



### PQ Curve (At Rated Voltage)

