

## 6015

## 60x60x15MM

### General Specifications

- ◆ Material..... Frame: Plastic (UL94V-0)  
Impeller: Plastic (UL94V-0)  
Lead Wire: UL1571AWG#24 or Equivalent (+) Red, (-) Black
- ◆ Expected Life..... Ball Bearing 70,000hrs (40°C)  
Sleeve Bearing 30,000hrs (40°C)
- ◆ Temperature Range.... Operating Temperature -10°C~70°C (Non-condensing)  
Storage Temperature -40°C~70°C (Non-condensing)
- ◆ Safety Standards..... UL, TUV, RoHS, CE
- ◆ DC Fan Specials..... RD, FG, PWM, IP56

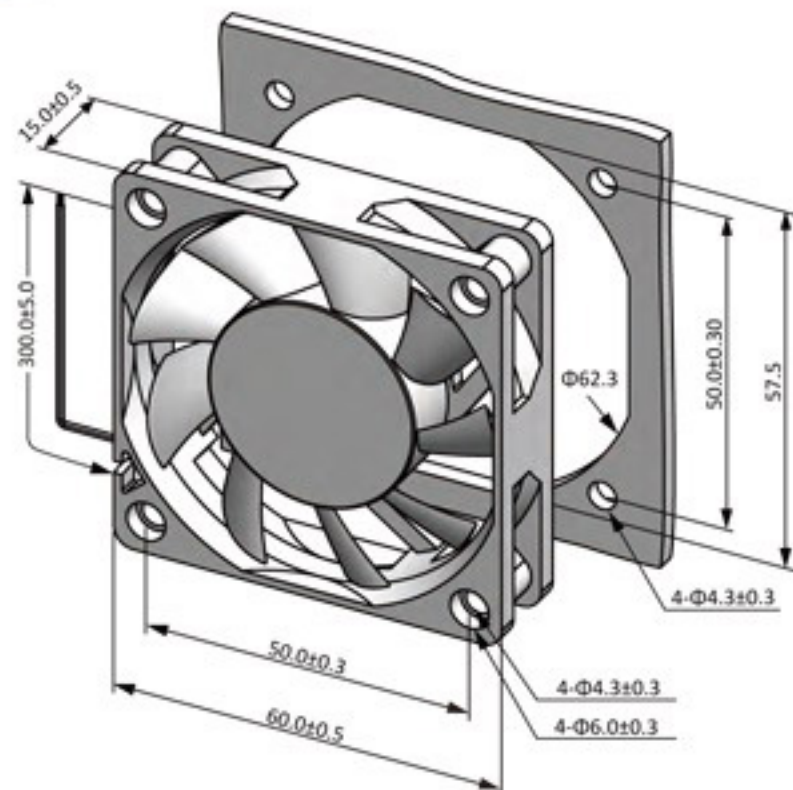


### Specifications

Model	Rev	#Bearing Type	Rated Voltage	Operating Voltage	Input Current	Input Power	Speed	Max Air Flow		Max Static Pressure		Noise	Weight
Part No.	XXX	B	VDC	VDC	Amp	Watt	RPM	CFM	m <sup>3</sup> /min	Inch-H <sub>2</sub> O	Pa	dB-A	g
DA06015#05H		B.5	5	3.5~5.5	0.58	2.90	4000	18.55	0.53	0.15	37.27	29.0	42.0
DA06015#05M		B.5	5	3.5~5.5	0.40	2.00	3500	16.84	0.48	0.13	31.48	26.0	42.0
DA06015#05L		B.5	5	3.5~5.5	0.25	1.25	3000	12.96	0.37	0.09	21.57	24.0	42.0
DA06015#12U		B.5	12	7.0~13.8	0.30	3.60	5000	22.77	0.64	0.22	55.11	37.0	42.0
DA06015#12H		B.5	12	7.0~13.8	0.22	2.64	4500	19.94	0.56	0.17	43.15	33.0	42.0
DA06015#12M		B.5	12	7.0~13.8	0.18	2.16	4000	18.55	0.53	0.15	37.27	29.0	42.0
DA06015#12L		B.5	12	7.0~13.8	0.15	1.80	3500	16.84	0.48	0.13	31.48	26.0	42.0
DA06015#12D		B.5	12	7.0~13.8	0.12	1.44	3000	12.96	0.37	0.09	21.57	24.0	42.0
DA06015#24U		B.5	24	14.0~27.6	0.18	4.32	5000	22.77	0.64	0.22	55.11	37.0	42.0
DA06015#24H		B.5	24	14.0~27.6	0.16	3.84	4500	19.94	0.56	0.17	43.15	33.0	42.0
DA06015#24M		B.5	24	14.0~27.6	0.12	2.88	4000	18.55	0.53	0.15	37.27	29.0	42.0
DA06015#24L		B.5	24	14.0~27.6	0.10	2.40	3500	16.84	0.48	0.13	31.48	26.0	42.0

All model could be customized on voltage or any other requirements to fit your need.

### Dimensions (Unit:mm)



### PQ Curve (At Rated Voltage)

