

6025

60x60x25MM



General Specifications

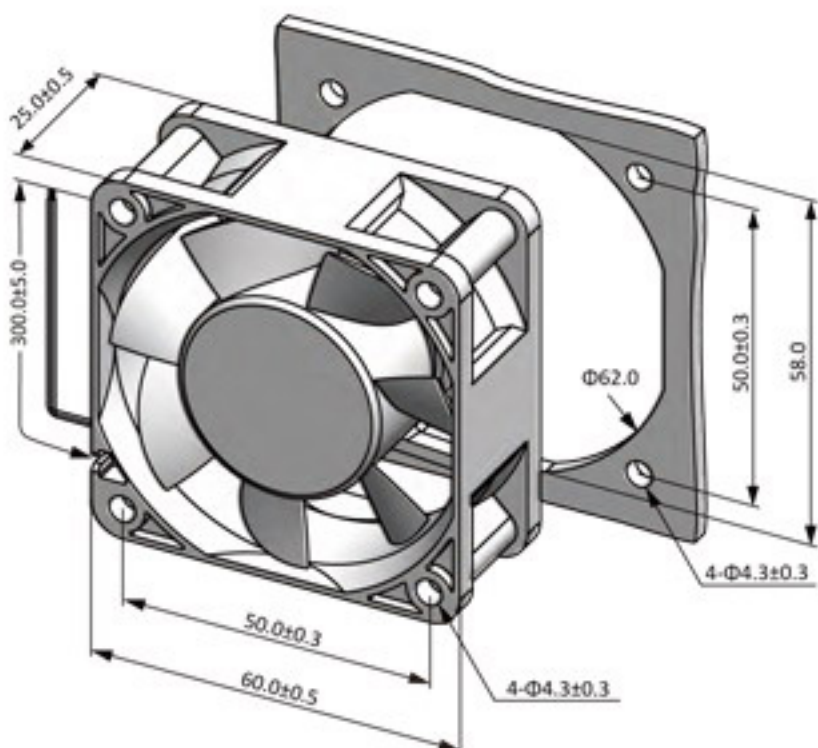
- ◆ Material..... Frame: Plastic (UL94V-0)
Impeller: Plastic (UL94V-0)
Lead Wire: UL1007AWG#24 or Equivalent (+) Red, (-) Black
- ◆ Expected Life..... Ball Bearing 70,000hrs (40°C)
Sleeve Bearing 30,000hrs (40°C)
- ◆ Temperature Range.... Operating Temperature -10°C~70°C (Non-condensing)
Storage Temperature -40°C~70°C (Non-condensing)
- ◆ Safety Standards..... UL, TUV, RoHS, CE
- ◆ DC Fan Specials..... RD, FG, PWM, IP56, IP68

Specifications

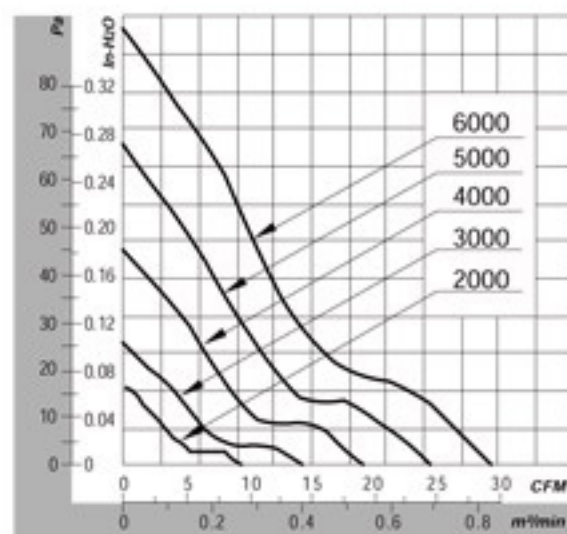
Model	Rev	#Bearing Type	Rated Voltage	Operating Voltage	Input Current	Input Power	Speed	Max Air Flow		Max Static Pressure		Noise	Weight
Part No.	XXX	B	VDC	VDC	Amp	Watt	RPM	CFM	m ³ /min	Inch-H ₂ O	Pa	dB-A	g
DA06025#12U		B.5	12	7.0~13.8	0.45	5.40	6000	29.43	0.83	0.37	91.40	45.0	56.0
DA06025#12H		B.5	12	7.0~13.8	0.25	3.00	5000	24.77	0.70	0.27	67.47	38.0	56.0
DA06025#12M		B.5	12	7.0~13.8	0.18	2.16	4000	19.15	0.54	0.17	42.56	32.0	56.0
DA06025#12L		B.5	12	7.0~13.8	0.10	1.20	3000	14.77	0.42	0.11	26.38	27.0	56.0
DA06025#12D		B.5	12	7.0~13.8	0.06	0.72	2000	9.20	0.26	0.04	10.49	23.0	56.0
DA06025#24U		B.5	24	14.0~27.6	0.25	6.00	6000	29.43	0.83	0.37	91.40	45.0	56.0
DA06025#24H		B.5	24	14.0~27.6	0.18	4.32	5000	24.77	0.70	0.27	67.47	38.0	56.0
DA06025#24M		B.5	24	14.0~27.6	0.15	3.60	4000	19.15	0.54	0.17	42.56	32.0	56.0
DA06025#24L		B.5	24	14.0~27.6	0.10	2.40	3000	14.77	0.42	0.11	26.38	27.0	56.0
DA06025#48U		B.5	48	28.0~56.0	0.18	8.64	6000	29.43	0.83	0.37	91.40	45.0	56.0
DA06025#48H		B.5	48	28.0~56.0	0.12	5.76	5000	24.77	0.70	0.27	67.47	38.0	56.0
DA06025#48M		B.5	48	28.0~56.0	0.08	3.84	4000	19.15	0.54	0.17	42.56	32.0	56.0
DA06025#48L		B.5	48	28.0~56.0	0.06	2.88	3000	14.77	0.42	0.11	26.38	27.0	56.0

All model could be customized on voltage or any other requirements to fit your need.

Dimensions (Unit:mm)



PQ Curve (At Rated Voltage)



6025D 60x60x25MM

DUST PROOF SERIES

NEW



General Specifications

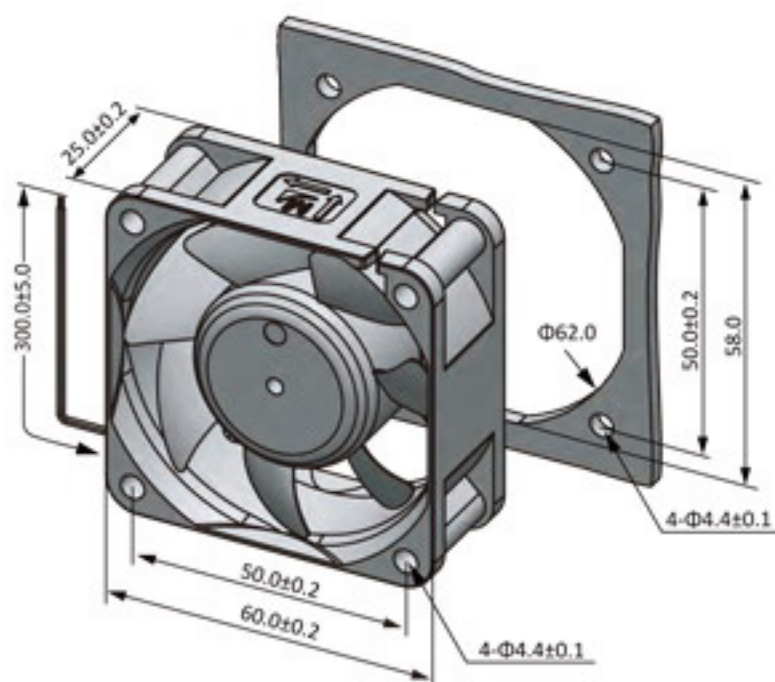
- ◆ Material..... Frame: Plastic (UL94V-0)
Impeller: Plastic (UL94V-0)
Lead Wire: UL1007AWG#24 or Equivalent (+) Red, (-) Black
- ◆ Expected Life..... Ball Bearing 70,000hrs (40°C)
- ◆ Temperature Range.... Operating Temperature -10°C~70°C (Non-condensing)
Storage Temperature -40°C~70°C (Non-condensing)
- ◆ Safety Standards..... UL, TUV, RoHS, CE
- ◆ DC Fan Specials..... RD, FG, PWM, IP56

Specifications

Model	Rev	#Bearing Type	Rated Voltage	Operating Voltage	Input Current	Input Power	Speed	Max Air Flow		Max Static Pressure		Noise	Weight
Part No.	A	B	VDC	VDC	Amp	Watt	RPM	CFM	m ³ /min	Inch-H ₂ O	Pa	dB-A	g
DA06025#12U	F01	B	12	7.0~13.8	0.53	6.36	10000	53.40	1.51	1.07	266.78	57.9	56.0
DA06025#12H	F01	B	12	7.0~13.8	0.45	5.40	8500	44.71	1.27	0.75	186.85	52.2	56.0
DA06025#12M	F01	B	12	7.0~13.8	0.32	3.84	7000	36.82	1.04	0.53	131.48	49.9	56.0
DA06025#12L	F01	B	12	7.0~13.8	0.15	1.80	5500	29.47	0.83	0.36	88.40	47.4	56.0
DA06025#12D	F01	B	12	7.0~13.8	0.07	0.84	4000	21.10	0.60	0.19	46.93	45.5	56.0
DA06025#24U	F01	B	24	14.0~27.6	0.30	7.20	10000	53.40	1.51	1.07	266.78	57.9	56.0
DA06025#24H	F01	B	24	14.0~27.6	0.25	6.00	8500	44.71	1.27	0.75	186.85	52.2	56.0
DA06025#24M	F01	B	24	14.0~27.6	0.18	4.32	7000	36.82	1.04	0.53	131.48	49.9	56.0
DA06025#24L	F01	B	24	14.0~27.6	0.10	2.40	5500	29.47	0.83	0.36	88.40	47.4	56.0
DA06025#24D	F01	B	24	14.0~27.6	0.05	1.20	4000	21.10	0.60	0.19	46.93	45.5	56.0
DA06025#48U	F01	B	48	28.0~56.0	0.17	8.16	10000	53.40	1.51	1.07	266.78	57.9	56.0
DA06025#48H	F01	B	48	28.0~56.0	0.13	6.37	8500	44.71	1.27	0.75	186.85	52.2	56.0
DA06025#48M	F01	B	48	28.0~56.0	0.10	5.03	7000	36.82	1.04	0.53	131.48	49.9	56.0
DA06025#48L	F01	B	48	28.0~56.0	0.06	2.66	5500	29.47	0.83	0.36	88.40	47.4	56.0
DA06025#48D	F01	B	48	28.0~56.0	0.03	1.33	4000	21.10	0.60	0.19	46.93	45.5	56.0

All model could be customized on voltage or any other requirements to fit your need.

Dimensions (Unit:mm)



PQ Curve (At Rated Voltage)

