

6038Z

60x60x38MM

General Specifications

- ◆ Material..... Frame: Plastic (UL94V-0)
Impeller: Plastic (UL94V-0)
Lead Wire: UL1007AWG#24 or Equivalent (+) Red, (-) Black
- ◆ Expected Life..... Ball Bearing 70,000hrs (40°C)
- ◆ Temperature Range.... Operating Temperature -10°C~70°C (Non-condensing)
Storage Temperature -40°C~70°C (Non-condensing)
- ◆ Safety Standards..... UL, TUV, RoHS, CE
- ◆ DC Fan Specials..... RD, FG, PWM, Temperature Control, IP56

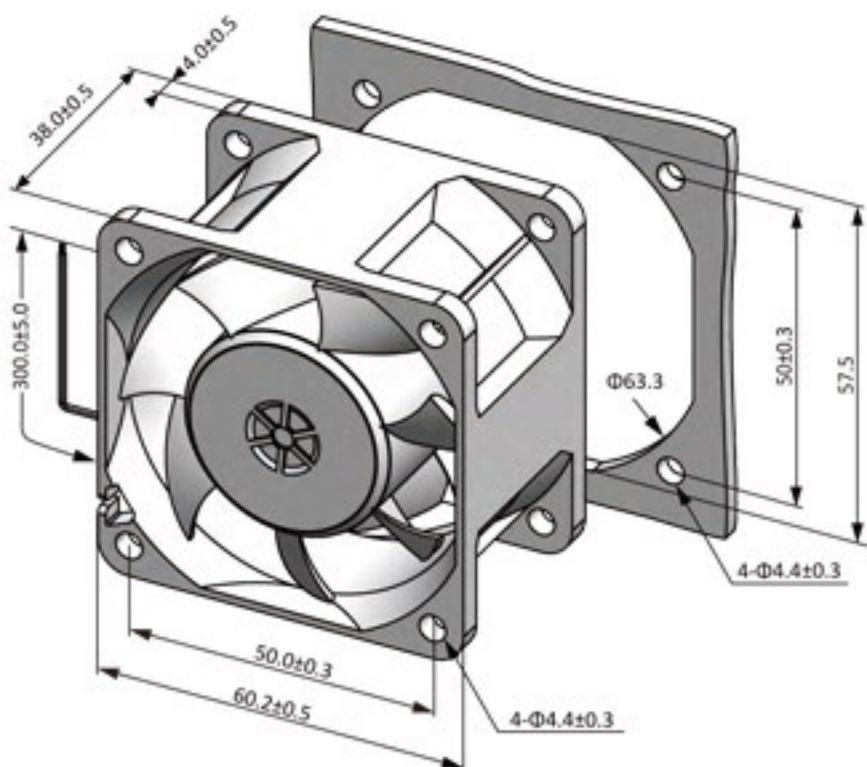


Specifications

Model	Rev	#Bearing Type	Rated Voltage	Operating Voltage	Input Current	Input Power	Speed	Max Air Flow		Max Static Pressure		Noise	Weight
Part No.	XXX	B	VDC	VDC	Amp	Watt	RPM	CFM	m ³ /min	Inch-H ₂ O	Pa	dB-A	g
DZ06038#12H		B	12	7.0~13.8	1.00	12.00	9000	49.91	1.41	0.90	224.67	60.0	85.0
DZ06038#12M		B	12	7.0~13.8	0.70	8.40	8000	44.52	1.26	0.74	183.19	55.0	85.0
DZ06038#12L		B	12	7.0~13.8	0.50	6.00	7000	39.02	1.11	0.57	141.90	51.0	85.0
DZ06038#12D		B	12	7.0~13.8	0.40	4.80	6000	33.51	0.95	0.43	106.50	47.0	85.0
DZ06038#24U		B	24	14.0~27.6	0.65	15.60	10000	56.68	1.61	1.15	286.06	65.0	85.0
DZ06038#24H		B	24	14.0~27.6	0.50	12.00	9000	49.91	1.41	0.90	224.67	60.0	85.0
DZ06038#24M		B	24	14.0~27.6	0.35	8.40	8000	44.52	1.26	0.74	183.19	55.0	85.0
DZ06038#24L		B	24	14.0~27.6	0.30	7.20	7000	39.02	1.11	0.57	141.90	51.0	85.0
DZ06038#24D		B	24	14.0~27.6	0.25	6.00	6000	33.51	0.95	0.43	106.50	47.0	85.0
DZ06038#48U		B	48	28.0~56.0	0.35	16.80	10000	56.68	1.61	1.15	286.06	65.0	85.0
DZ06038#48H		B	48	28.0~56.0	0.30	14.40	9000	49.91	1.41	0.90	224.67	60.0	85.0
DZ06038#48M		B	48	28.0~56.0	0.25	12.00	8000	44.52	1.26	0.74	183.19	55.0	85.0
DZ06038#48L		B	48	28.0~56.0	0.20	9.60	7000	39.02	1.11	0.57	141.90	51.0	85.0
DZ06038#48D		B	48	28.0~56.0	0.15	7.20	6000	33.51	0.95	0.43	106.50	47.0	85.0

All model could be customized on voltage or any other requirements to fit your need.

Dimensions (Unit:mm)



PQ Curve (At Rated Voltage)

