

8025

80x80x25MM

General Specifications

- ◆ Material..... Frame: Plastic (UL94V-0)
Impeller: Plastic (UL94V-0)
Lead Wire: UL1007AWG#24 or Equivalent (+) Red, (-) Black
- ◆ Expected Life..... Ball Bearing 70,000hrs (40°C)
Sleeve Bearing 30,000hrs (40°C)
- ◆ Temperature Range.... Operating Temperature -10°C~70°C (Non-condensing)
Storage Temperature -40°C~70°C (Non-condensing)
- ◆ Safety Standards..... UL, TUV, RoHS, CE
- ◆ DC Fan Specials..... RD, FG, PWM, IP56

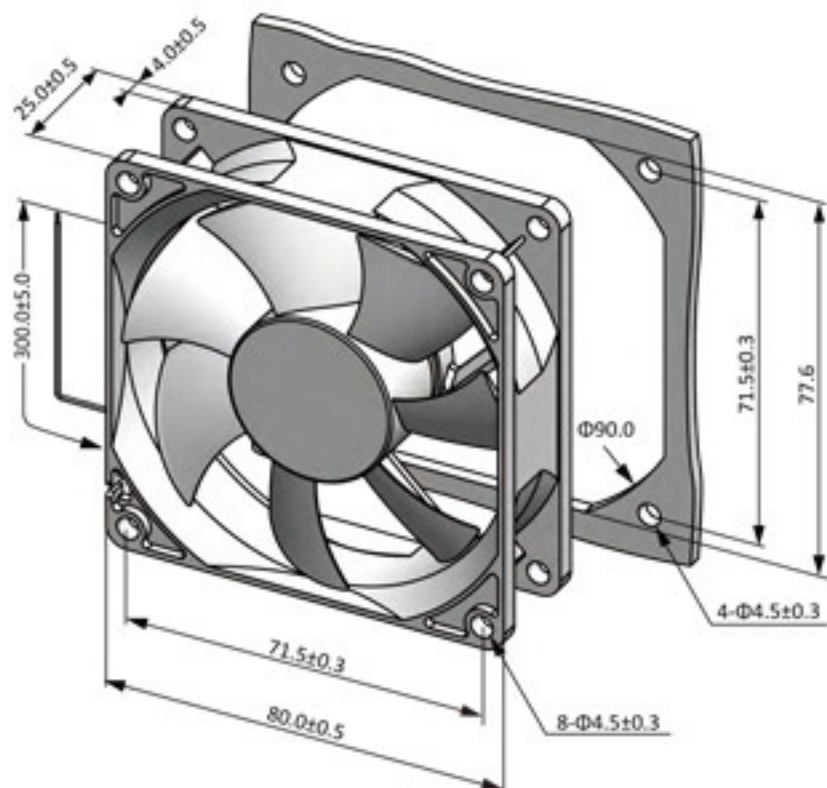


Specifications

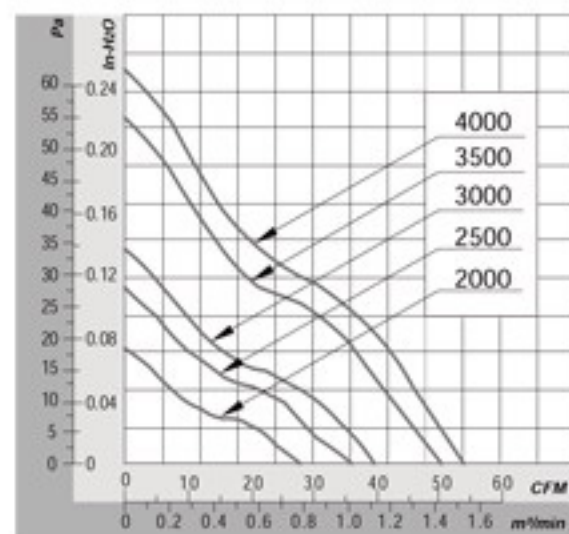
Model	Rev	#Bearing Type	Rated Voltage	Operating Voltage	Input Current	Input Power	Speed	Max Air Flow		Max Static Pressure		Noise	Weight
Part No.	XXX	B	VDC	VDC	Amp	Watt	RPM	CFM	m ³ /min	Inch-H ₂ O	Pa	dB-A	g
DA08025#12U		B.S	12	7.0~13.8	0.50	6.00	4000	54.14	1.53	0.25	62.37	40.0	58.0
DA08025#12H		B.S	12	7.0~13.8	0.40	4.80	3500	50.35	1.43	0.22	54.82	36.0	58.0
DA08025#12M		B.S	12	7.0~13.8	0.30	3.60	3000	39.98	1.13	0.14	34.81	31.0	58.0
DA08025#12L		B.S	12	7.0~13.8	0.20	2.40	2500	35.67	1.01	0.11	27.65	25.0	58.0
DA08025#12D		B.S	12	7.0~13.8	0.10	1.20	2000	27.39	0.78	0.07	18.14	22.0	58.0
DA08025#24U		B.S	24	14.0~27.6	0.40	9.60	4000	54.14	1.53	0.25	62.37	40.0	58.0
DA08025#24H		B.S	24	14.0~27.6	0.30	7.20	3500	50.35	1.43	0.22	54.82	36.0	58.0
DA08025#24M		B.S	24	14.0~27.6	0.20	4.80	3000	39.98	1.13	0.14	34.81	31.0	58.0
DA08025#24L		B.S	24	14.0~27.6	0.15	3.60	2500	35.67	1.01	0.11	27.65	25.0	58.0
DA08025#24D		B.S	24	14.0~27.6	0.10	2.40	2000	27.39	0.78	0.07	18.14	22.0	58.0
DA08025#48U		B.S	48	28.0~56.0	0.30	14.40	4000	54.14	1.53	0.25	62.37	40.0	58.0
DA08025#48H		B.S	48	28.0~56.0	0.25	12.00	3500	50.35	1.43	0.22	54.82	36.0	58.0
DA08025#48M		B.S	48	28.0~56.0	0.20	9.60	3000	39.98	1.13	0.14	34.81	31.0	58.0
DA08025#48L		B.S	48	28.0~56.0	0.15	7.20	2500	35.67	1.01	0.11	27.65	25.0	58.0

All model could be customized on voltage or any other requirements to fit your need.

Dimensions (Unit:mm)



PQ Curve (At Rated Voltage)



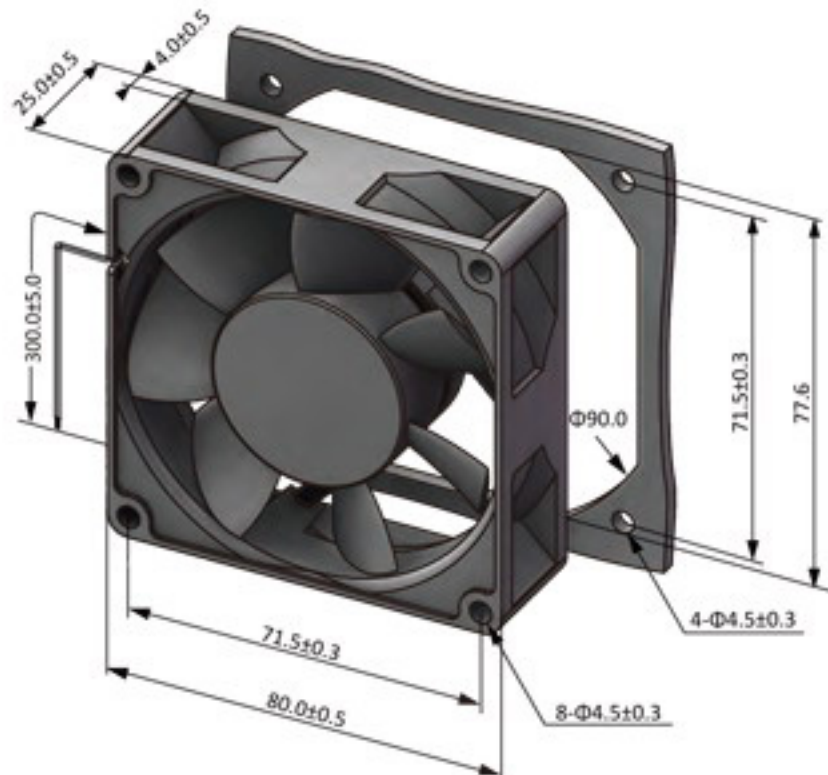
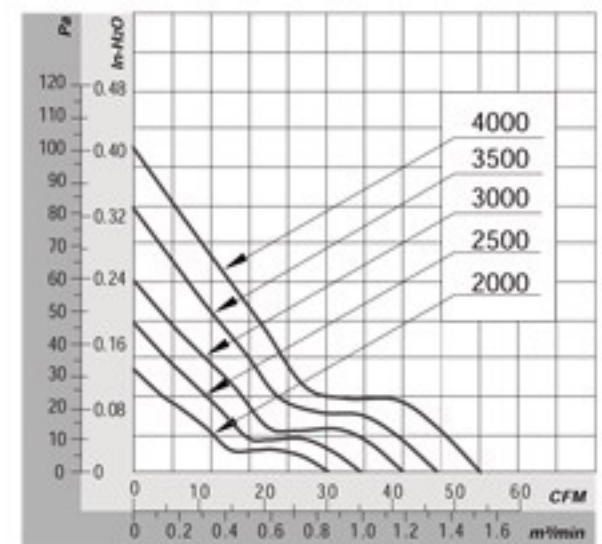
8025
80x80x25MM
General Specifications

- ◆ Material..... Frame: Plastic (UL94V-0)
Impeller: Plastic (UL94V-0)
Lead Wire: UL1007AWG#24 or Equivalent (+) Red, (-) Black
- ◆ Expected Life..... Ball Bearing 70,000hrs (40°C)
Sleeve Bearing 30,000hrs (40°C)
- ◆ Temperature Range.... Operating Temperature -10°C~70°C (Non-condensing)
Storage Temperature -40°C~70°C (Non-condensing)
- ◆ Safety Standards..... UL, TUV, RoHS, CE
- ◆ DC Fan Specials..... RD, FG, PWM, IP56


Specifications

Model	Rev	#Bearing Type	Rated Voltage	Operating Voltage	Input Current	Input Power	Speed	Max Air Flow		Max Static Pressure		Noise	Weight
Part No.	XXX	B	VDC	VDC	Amp	Watt	RPM	CFM	m ³ /min	Inch-H ₂ O	Pa	dB-A	g
DA08025#12U	A01	B.5	12	7.0~13.8	0.50	6.00	4500	54.42	1.54	0.40	100.14	45.4	58.0
DA08025#12H	A01	B.5	12	7.0~13.8	0.40	4.80	4000	48.37	1.37	0.32	80.82	42.3	58.0
DA08025#12M	A01	B.5	12	7.0~13.8	0.30	3.60	3500	40.94	1.16	0.24	59.93	40.0	58.0
DA08025#12L	A01	B.5	12	7.0~13.8	0.20	2.40	3000	35.72	1.01	0.19	46.20	36.1	58.0
DA08025#12D	A01	B.5	12	7.0~13.8	0.10	1.20	2500	29.79	0.84	0.13	33.05	31.2	58.0
DA08025#24U	A01	B.5	24	14.0~27.6	0.40	9.60	4500	54.42	1.54	0.40	100.14	45.4	58.0
DA08025#24H	A01	B.5	24	14.0~27.6	0.30	7.20	4000	48.37	1.37	0.32	80.82	42.3	58.0
DA08025#24M	A01	B.5	24	14.0~27.6	0.20	4.80	3500	40.94	1.16	0.24	59.93	40.0	58.0
DA08025#24L	A01	B.5	24	14.0~27.6	0.15	3.60	3000	35.72	1.01	0.19	46.20	36.1	58.0
DA08025#24D	A01	B.5	24	14.0~27.6	0.10	2.40	2500	29.79	0.84	0.13	33.05	31.2	58.0
DA08025#48U	A01	B.5	48	28.0~56.0	0.30	14.40	4500	54.42	1.54	0.40	100.14	45.4	58.0
DA08025#48H	A01	B.5	48	28.0~56.0	0.25	12.00	4000	48.37	1.37	0.32	80.82	42.3	58.0
DA08025#48M	A01	B.5	48	28.0~56.0	0.20	9.60	3500	40.94	1.16	0.24	59.93	40.0	58.0
DA08025#48L	A01	B.5	48	28.0~56.0	0.15	7.20	3000	35.72	1.01	0.19	46.20	36.1	58.0

All model could be customized on voltage or any other requirements to fit your need.

Dimensions (Unit:mm)

PQ Curve (At Rated Voltage)


8025

80x80x25MM

NEW



General Specifications

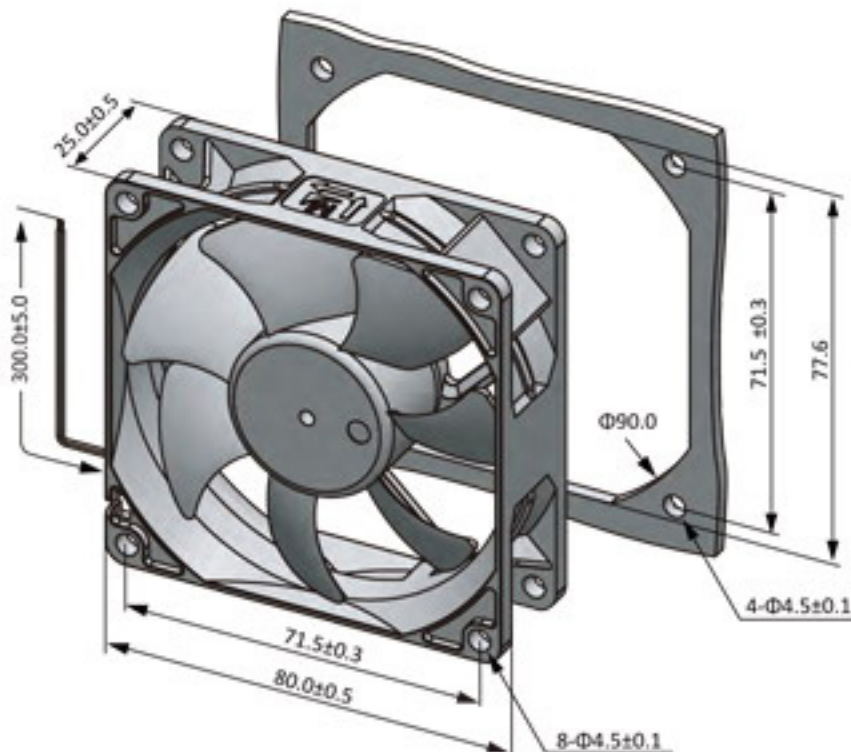
- ◆ Material..... Frame: Plastic (UL94V-0)
Impeller: Plastic (UL94V-0)
Lead Wire: UL1007AWG#24 or Equivalent (+) Red, (-) Black
- ◆ Expected Life..... Ball Bearing 70,000hrs (40°C)
Sleeve Bearing 30,000hrs (40°C)
- ◆ Temperature Range.... Operating Temperature -10°C~70°C (Non-condensing)
Storage Temperature -40°C~70°C (Non-condensing)
- ◆ Safety Standards..... UL, TUV, RoHS, CE
- ◆ DC Fan Specials..... RD, FG, PWM, IP56

Specifications

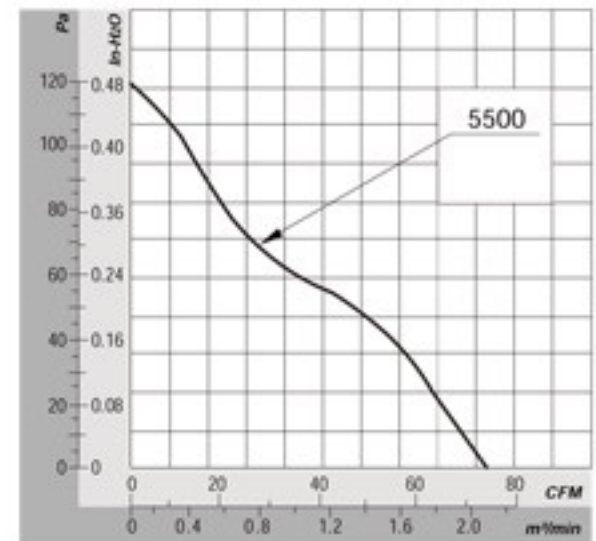
Model	Rev	#Bearing Type	Rated Voltage	Operating Voltage	Input Current	Input Power	Speed	Max Air Flow		Max Static Pressure		Noise	Weight
Part No.	XXX	B	VDC	VDC	Amp	Watt	RPM	CFM	m ³ /min	Inch-H ₂ O	Pa	dB-A	g
DA08025#12U	B01	B.5	12	7.0~13.8	1.00	12.0	5500	74.40	2.11	0.48	118.5	47.6	62.0
DA08025#24U	B01	B.5	24	14.0~27.6	0.50	12.0	5500	74.40	2.11	0.48	118.5	47.6	62.0
DA08025#48U	B01	B.5	48	28.0~56.0	0.25	12.0	5500	74.40	2.11	0.48	118.5	47.6	62.0

All model could be customized on voltage or any other requirements to fit your need.

Dimensions (Unit:mm)



PQ Curve (At Rated Voltage)



8025D

80x80x25MM

DUST PROOF SERIES

NEW



General Specifications

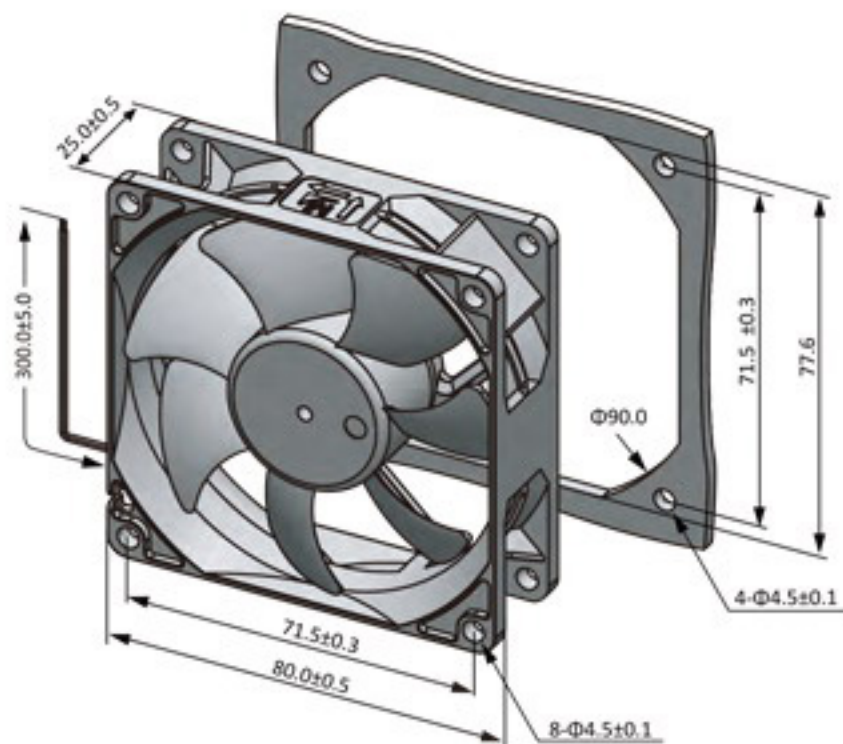
- ◆ Material..... Frame: Plastic (UL94V-0)
Impeller: Plastic (UL94V-0)
Lead Wire: UL1007AWG#24 or Equivalent (+) Red, (-) Black
- ◆ Expected Life..... Ball Bearing 70,000hrs (40°C)
Sleeve Bearing 30,000hrs (40°C)
- ◆ Temperature Range.... Operating Temperature -10°C~70°C (Non-condensing)
Storage Temperature -40°C~70°C (Non-condensing)
- ◆ Safety Standards..... UL, TUV, RoHS, CE
- ◆ DC Fan Specials..... RD, FG, PWM, IP56

Specifications

Model	Rev	#Bearing Type	Rated Voltage	Operating Voltage	Input Current	Input Power	Speed	Max Air Flow		Max Static Pressure		Noise	Weight
Part No.	A	B	VDC	VDC	Amp	Watt	RPM	CFM	m ³ /min	Inch-H ₂ O	Pa	dB-A	g
DA08025#12U	F01	B.S	12	7.0~13.8	0.50	6.00	4000	54.14	1.53	0.25	62.37	40.0	58.0
DA08025#12H	F01	B.S	12	7.0~13.8	0.40	4.80	3500	50.35	1.43	0.22	54.82	36.0	58.0
DA08025#12M	F01	B.S	12	7.0~13.8	0.30	3.60	3000	39.98	1.13	0.14	34.81	31.0	58.0
DA08025#12L	F01	B.S	12	7.0~13.8	0.20	2.40	2500	35.67	1.01	0.11	27.65	25.0	58.0
DA08025#12D	F01	B.S	12	7.0~13.8	0.10	1.20	2000	27.39	0.78	0.07	18.14	22.0	58.0
DA08025#24U	F01	B.S	24	14.0~27.6	0.40	9.60	4000	54.14	1.53	0.25	62.37	40.0	58.0
DA08025#24H	F01	B.S	24	14.0~27.6	0.30	7.20	3500	50.35	1.43	0.22	54.82	36.0	58.0
DA08025#24M	F01	B.S	24	14.0~27.6	0.20	4.80	3000	39.98	1.13	0.14	34.81	31.0	58.0
DA08025#24L	F01	B.S	24	14.0~27.6	0.15	3.60	2500	35.67	1.01	0.11	27.65	25.0	58.0
DA08025#24D	F01	B.S	24	28.0~56.0	0.10	2.40	2000	27.39	0.78	0.07	18.14	22.0	58.0
DA08025#48U	F01	B.S	48	28.0~56.0	0.30	14.40	4000	54.14	1.53	0.25	62.37	40.0	58.0
DA08025#48H	F01	B.S	48	28.0~56.0	0.25	12.00	3500	50.35	1.43	0.22	54.82	36.0	58.0
DA08025#48M	F01	B.S	48	28.0~56.0	0.20	9.60	3000	39.98	1.13	0.14	34.81	31.0	58.0
DA08025#48L	F01	B.S	48	28.0~56.0	0.15	7.20	2500	35.67	1.01	0.11	27.65	25.0	58.0

All model could be customized on voltage or any other requirements to fit your need.

Dimensions (Unit:mm)



PQ Curve (At Rated Voltage)

