

8038Z

80x80x38MM



General Specifications

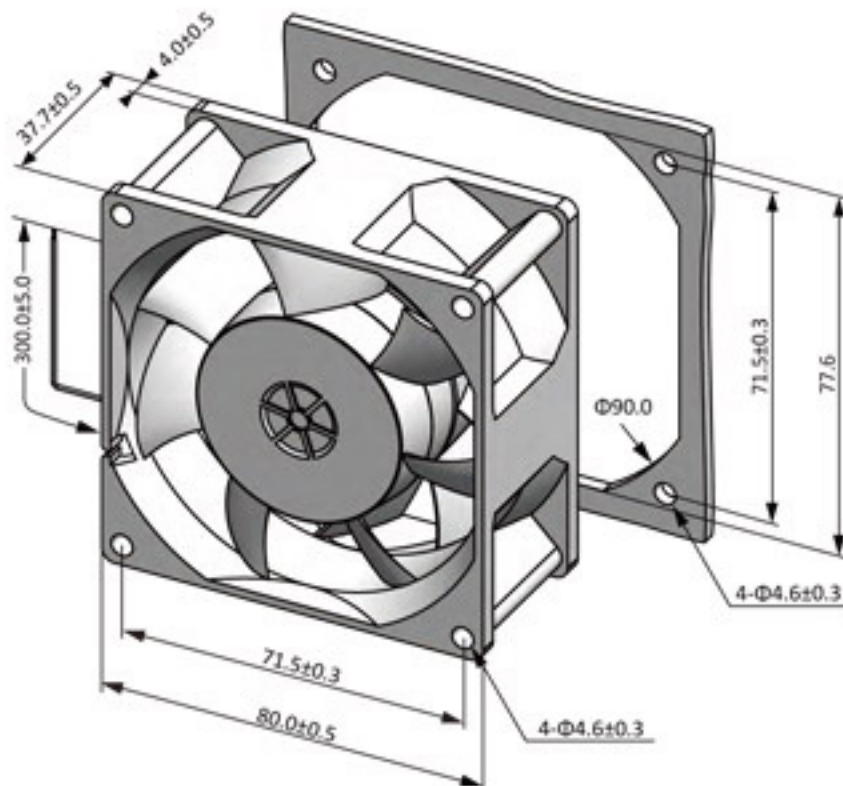
- ◆ Material..... Frame: Plastic (UL94V-0)
Impeller: Plastic (UL94V-0)
Lead Wire: UL1007AWG#24 or Equivalent (+) Red, (-) Black
- ◆ Expected Life..... Ball Bearing 70,000hrs (40°C)
- ◆ Temperature Range.... Operating Temperature -10°C~70°C (Non-condensing)
Storage Temperature -40°C~70°C (Non-condensing)
- ◆ Safety Standards..... UL, TUV, RoHS, CE
- ◆ DC Fan Specials..... RD, FG, PWM, Temperature Control, IP56

Specifications

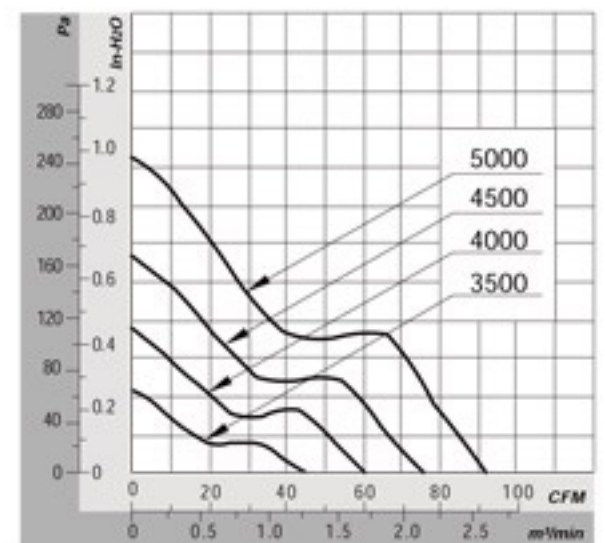
Model	Rev	#Bearing Type	Rated Voltage	Operating Voltage	Input Current	Input Power	Speed	Max Air Flow		Max Static Pressure		Noise	Weight
Part No.	XXX	B	VDC	VDC	Amp	Watt	RPM	CFM	m ³ /min	Inch-H ₂ O	Pa	dB-A	g
DZ08038#12U		B	12	7.0~13.8	1.50	18.00	6500	90.60	2.57	0.99	245.56	59.0	153
DZ08038#12H		B	12	7.0~13.8	0.90	10.80	5500	74.46	2.11	0.68	168.48	53.0	153
DZ08038#12M		B	12	7.0~13.8	0.60	7.20	4500	60.08	1.70	0.46	114.74	47.0	153
DZ08038#12L		B	12	7.0~13.8	0.40	4.80	3500	45.11	1.28	0.26	65.70	43.0	153
DZ08038#24U		B	24	14.0~27.6	0.80	19.20	6500	90.60	2.57	0.99	245.56	59.0	153
DZ08038#24H		B	24	14.0~27.6	0.50	12.00	5500	74.46	2.11	0.68	168.48	53.0	153
DZ08038#24M		B	24	14.0~27.6	0.30	7.20	4500	60.08	1.70	0.46	114.74	47.0	153
DZ08038#24L		B	24	14.0~27.6	0.20	4.80	3500	45.11	1.28	0.26	65.70	43.0	153
DZ08038#48U		B	48	28.0~56.0	0.50	24.00	6500	90.60	2.57	0.99	245.56	59.0	153
DZ08038#48H		B	48	28.0~56.0	0.30	14.40	5500	74.46	2.11	0.68	168.48	53.0	153
DZ08038#48M		B	48	28.0~56.0	0.20	9.60	4500	60.08	1.70	0.46	114.74	47.0	153
DZ08038#48L		B	48	28.0~56.0	0.10	4.80	3500	45.11	1.28	0.26	65.70	43.0	153

All model could be customized on voltage or any other requirements to fit your need.

Dimensions (Unit:mm)



PQ Curve (At Rated Voltage)



8038Z

80x80x38MM

HIGH AIR PRESSURE
NEW



General Specifications

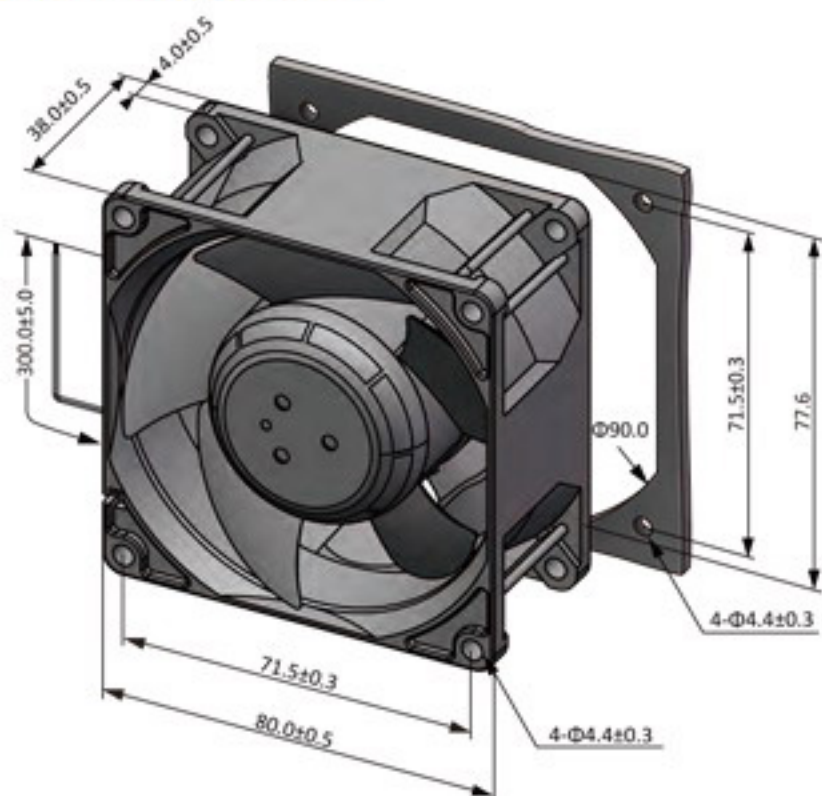
- ◆ Material..... Frame: Plastic (UL94V-0)
Impeller: Plastic (UL94V-0)
Lead Wire: UL1007AWG#24 or Equivalent (+) Red, (-) Black
- ◆ Expected Life..... Ball Bearing 70,000hrs (40°C)
- ◆ Temperature Range.... Operating Temperature -10°C~70°C (Non-condensing)
Storage Temperature -40°C~70°C (Non-condensing)
- ◆ Safety Standards..... UL, TUV, RoHS, CE
- ◆ DC Fan Specials..... RD, FG, PWM, Temperature Control, IP68

Specifications

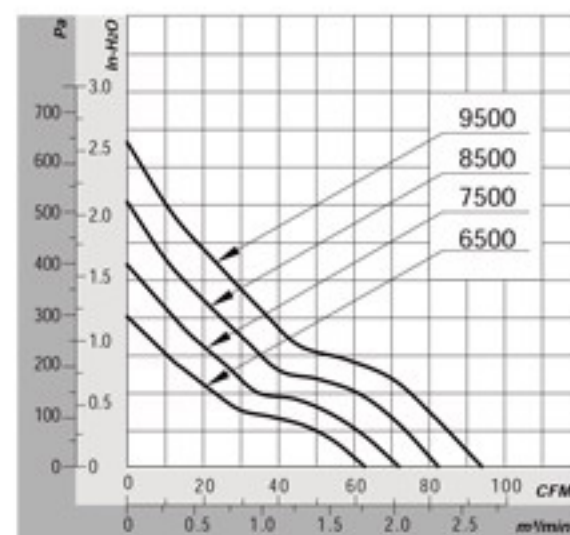
Model	Rev	#Bearing Type	Rated Voltage	Operating Voltage	Input Current	Input Power	Speed	Max Air Flow		Max Static Pressure		Noise	Weight
Part No.	XXX	B.S	VDC	VDC	Amp	Watt	RPM	CFM	m ³ /min	Inch-H ₂ O	Pa	dB-A	g
DZ08038#12U	F01	B	12	7.0~13.8	1.35	16.20	9500	92.83	2.63	2.60	646.80	63.9	253
DZ08038#12H	F01	B	12	7.0~13.8	1.00	12.00	8500	82.48	2.34	2.09	520.38	61.1	253
DZ08038#12M	F01	B	12	7.0~13.8	0.78	9.36	7500	72.71	2.06	1.61	401.80	57.9	253
DZ08038#12L	F01	B	12	7.0~13.8	0.57	6.84	6500	62.82	1.76	1.20	298.90	54.2	253
DZ08038#24U	F01	B	24	14.0~27.6	0.67	16.08	9500	92.83	2.63	2.60	646.80	63.9	253
DZ08038#24H	F01	B	24	14.0~27.6	0.50	12.00	8500	82.48	2.34	2.09	520.38	61.1	253
DZ08038#24M	F01	B	24	14.0~27.6	0.37	8.88	7500	72.71	2.06	1.61	401.80	57.9	253
DZ08038#24L	F01	B	24	14.0~27.6	0.28	6.72	6500	62.82	1.76	1.20	298.90	54.2	253
DZ08038#48U	F01	B	48	28.0~56.0	0.36	17.28	9500	92.83	2.63	2.60	646.80	63.9	253
DZ08038#48H	F01	B	48	28.0~56.0	0.29	13.92	8500	82.48	2.34	2.09	520.38	61.1	253
DZ08038#48M	F01	B	48	28.0~56.0	0.21	10.08	7500	72.71	2.06	1.61	401.80	57.9	253
DZ08038#48L	F01	B	48	28.0~56.0	0.15	7.20	6500	62.82	1.76	1.20	298.90	54.2	253

All model could be customized on voltage or any other requirements to fit your need.

Dimensions (Unit:mm)



PQ Curve (At Rated Voltage)



8038Z

80x80x38MM

DUST PROOF SERIES

NEW



General Specifications

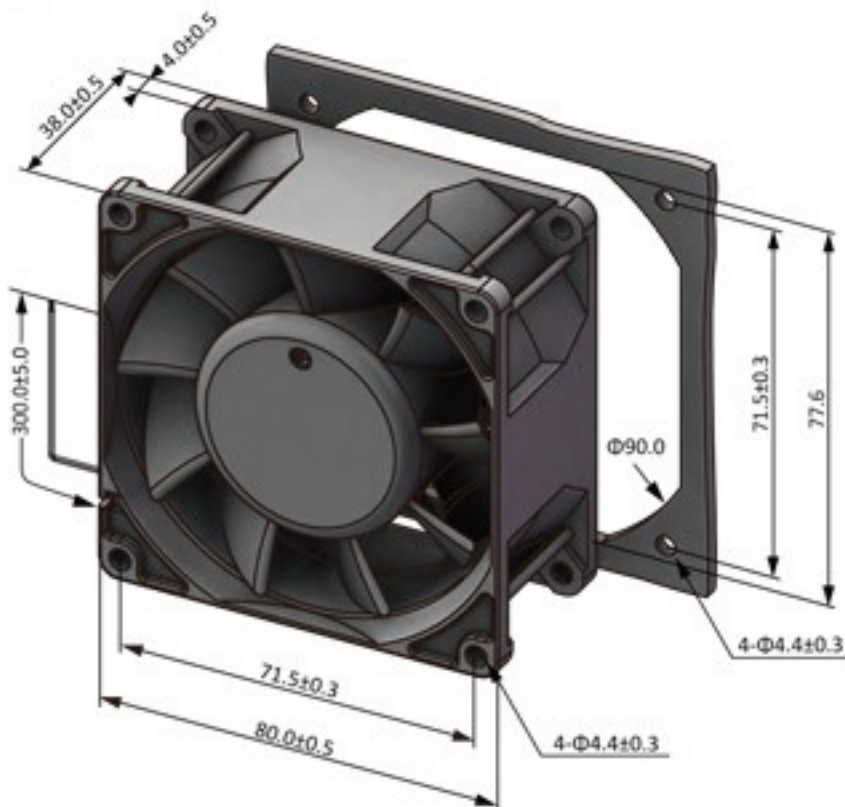
- ◆ Material..... Frame: Plastic (UL94V-0)
Impeller: Plastic (UL94V-0)
Lead Wire: UL1007AWG#24 or Equivalent (+) Red, (-) Black
- ◆ Expected Life..... Ball Bearing 70,000hrs (40°C)
- ◆ Temperature Range.... Operating Temperature -10°C~70°C (Non-condensing)
Storage Temperature -40°C~70°C (Non-condensing)
- ◆ Safety Standards..... UL, TUV, RoHS, CE
- ◆ DC Fan Specials..... RD, FG, PWM, Temperature Control, IP68

Specifications

Model	Rev	#Bearing Type	Rated Voltage	Operating Voltage	Input Current	Input Power	Speed	Max Air Flow		Max Static Pressure		Noise	Weight
Part No.	XXX	B.S	VDC	VDC	Amp	Watt	RPM	CFM	m ³ /min	Inch-H ₂ O	Pa	dB-A	g
DZ08038#12U	D01	B	12	7.0~13.8	1.50	18.00	6500	99.42	2.82	1.20	299.98	59.0	253
DZ08038#12H	D01	B	12	7.0~13.8	0.90	10.80	5500	83.51	2.37	0.84	208.81	53.0	253
DZ08038#12M	D01	B	12	7.0~13.8	0.60	7.20	4500	67.87	1.92	0.54	133.34	47.0	253
DZ08038#12L	D01	B	12	7.0~13.8	0.40	4.80	3500	51.74	1.47	0.32	80.88	43.0	253
DZ08038#24U	D01	B	24	14.0~27.6	0.80	19.20	6500	99.42	2.82	1.20	299.98	59.0	253
DZ08038#24H	D01	B	24	14.0~27.6	0.50	12.00	5500	83.51	2.37	0.84	208.81	53.0	253
DZ08038#24M	D01	B	24	14.0~27.6	0.30	7.20	4500	67.87	1.92	0.54	133.34	47.0	253
DZ08038#24L	D01	B	24	14.0~27.6	0.20	4.80	3500	51.74	1.47	0.32	80.88	43.0	253
DZ08038#48U	D01	B	48	28.0~56.0	0.50	24.00	6500	99.42	2.82	1.20	299.98	59.0	253
DZ08038#48H	D01	B	48	28.0~56.0	0.30	14.40	5500	83.51	2.37	0.84	208.81	53.0	253
DZ08038#48M	D01	B	48	28.0~56.0	0.20	9.60	4500	67.87	1.92	0.54	133.34	47.0	253
DZ08038#48L	D01	B	48	28.0~56.0	0.10	4.80	3500	51.74	1.47	0.32	80.88	43.0	253

All model could be customized on voltage or any other requirements to fit your need.

Dimensions (Unit:mm)



PQ Curve (At Rated Voltage)

