

## 9225

## 92x92x25MM



### General Specifications

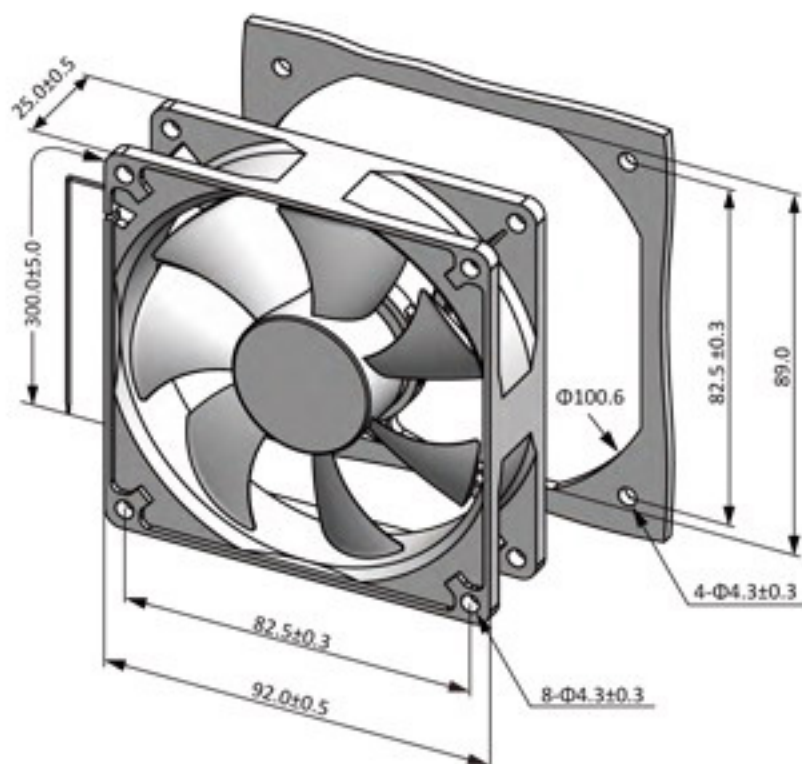
- ◆ Material..... Frame: Plastic (UL94V-0)  
Impeller: Plastic (UL94V-0)  
Lead Wire: UL1007AWG#24 or Equivalent (+) Red, (-) Black
- ◆ Expected Life..... Ball Bearing 70,000hrs (40°C)  
Sleeve Bearing 30,000hrs (40°C)
- ◆ Temperature Range.... Operating Temperature -10°C~70°C (Non-condensing)  
Storage Temperature -40°C~70°C (Non-condensing)
- ◆ Safety Standards..... UL, TUV, RoHS, CE
- ◆ DC Fan Specials..... RD, FG, PWM, IP56, IP68

### Specifications

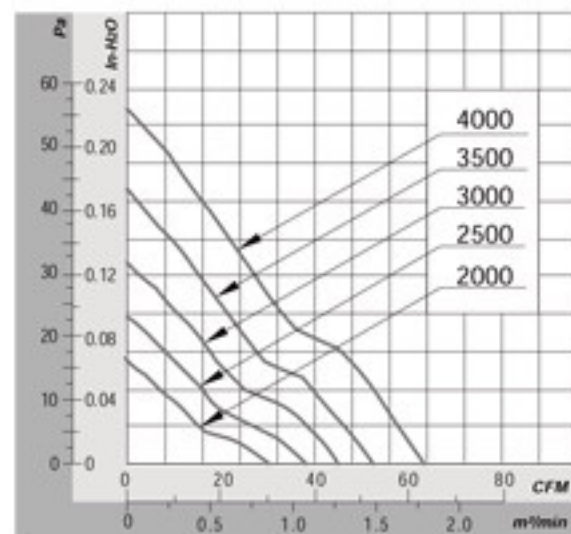
| Model       | Rev | #Bearing Type | Rated Voltage | Operating Voltage | Input Current | Input Power | Speed | Max Air Flow |                     | Max Static Pressure   |       | Noise | Weight |
|-------------|-----|---------------|---------------|-------------------|---------------|-------------|-------|--------------|---------------------|-----------------------|-------|-------|--------|
| Part No.    | XXX | B             | VDC           | VDC               | Amp           | Watt        | RPM   | CFM          | m <sup>3</sup> /min | Inch-H <sub>2</sub> O | Pa    | dB-A  | g      |
| DA09225#12U | A01 | B.5           | 12            | 7.0~13.8          | 0.60          | 7.20        | 4000  | 63.73        | 1.80                | 0.22                  | 55.80 | 47.0  | 78.0   |
| DA09225#12H | A01 | B.5           | 12            | 7.0~13.8          | 0.50          | 6.00        | 3500  | 54.98        | 1.56                | 0.18                  | 43.74 | 41.0  | 78.0   |
| DA09225#12M | A01 | B.5           | 12            | 7.0~13.8          | 0.40          | 4.80        | 3000  | 46.23        | 1.31                | 0.13                  | 31.68 | 37.0  | 78.0   |
| DA09225#12L | A01 | B.5           | 12            | 7.0~13.8          | 0.30          | 3.60        | 2500  | 37.93        | 1.07                | 0.09                  | 22.95 | 31.0  | 78.0   |
| DA09225#12D | A01 | B.5           | 12            | 7.0~13.8          | 0.20          | 2.40        | 2000  | 30.96        | 0.88                | 0.06                  | 16.18 | 25.0  | 78.0   |
| DA09225#24U | A01 | B.5           | 24            | 14.0~27.6         | 0.50          | 12.00       | 4000  | 63.73        | 1.80                | 0.22                  | 55.80 | 47.0  | 78.0   |
| DA09225#24H | A01 | B.5           | 24            | 14.0~27.6         | 0.40          | 9.60        | 3500  | 54.98        | 1.56                | 0.18                  | 43.74 | 41.0  | 78.0   |
| DA09225#24M | A01 | B.5           | 24            | 14.0~27.6         | 0.30          | 7.20        | 3000  | 46.23        | 1.31                | 0.13                  | 31.68 | 37.0  | 78.0   |
| DA09225#24L | A01 | B.5           | 24            | 14.0~27.6         | 0.20          | 4.80        | 2500  | 37.93        | 1.07                | 0.09                  | 22.95 | 31.0  | 78.0   |
| DA09225#24D | A01 | B.5           | 24            | 14.0~27.6         | 0.15          | 3.60        | 2000  | 30.96        | 0.88                | 0.06                  | 16.18 | 25.0  | 78.0   |
| DA09225#48U | A01 | B.5           | 48            | 28.0~56.0         | 0.40          | 19.20       | 4000  | 63.73        | 1.80                | 0.22                  | 55.80 | 47.0  | 78.0   |
| DA09225#48H | A01 | B.5           | 48            | 28.0~56.0         | 0.25          | 12.00       | 3500  | 54.98        | 1.56                | 0.18                  | 43.74 | 41.0  | 78.0   |
| DA09225#48M | A01 | B.5           | 48            | 28.0~56.0         | 0.20          | 9.60        | 3000  | 46.23        | 1.31                | 0.13                  | 31.68 | 37.0  | 78.0   |
| DA09225#48L | A01 | B.5           | 48            | 28.0~56.0         | 0.15          | 7.20        | 2500  | 37.93        | 1.07                | 0.09                  | 22.95 | 31.0  | 78.0   |

All model could be customized on voltage or any other requirements to fit your need.

### Dimensions (Unit:mm)



### PQ Curve (At Rated Voltage)



## 9225

## 92x92x25MM

# NEW



### General Specifications

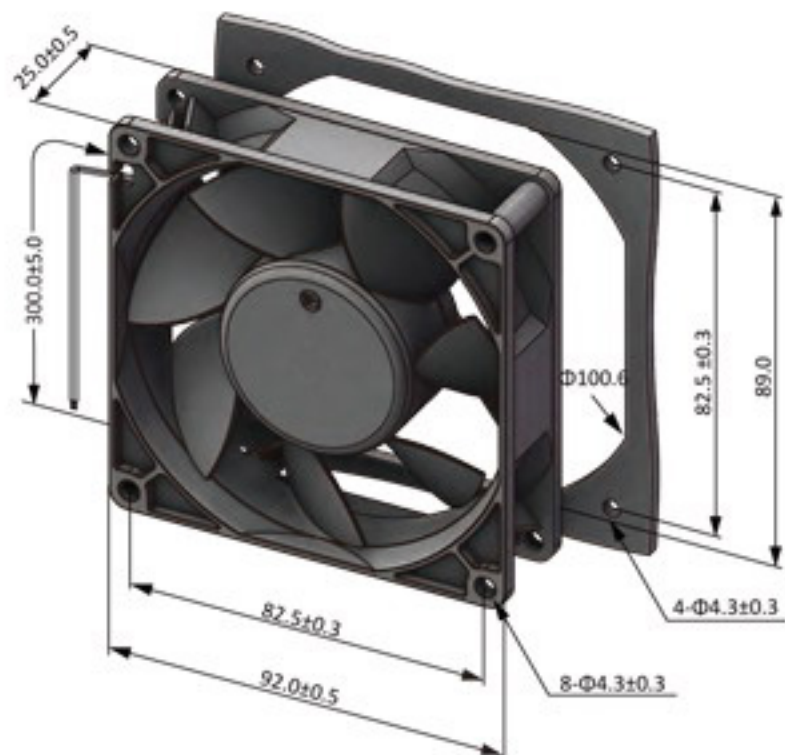
- ◆ Material..... Frame: Plastic (UL94V-0)  
Impeller: Plastic (UL94V-0)  
Lead Wire: UL1007AWG#24 or Equivalent (+) Red, (-) Black
- ◆ Expected Life..... Ball Bearing 70,000hrs (40°C)  
Sleeve Bearing 30,000hrs (40°C)
- ◆ Temperature Range.... Operating Temperature -10°C~70°C (Non-condensing)  
Storage Temperature -40°C~70°C (Non-condensing)
- ◆ Safety Standards..... UL, TUV, RoHS, CE
- ◆ DC Fan Specials..... RD, FG, PWM, IP56

### Specifications

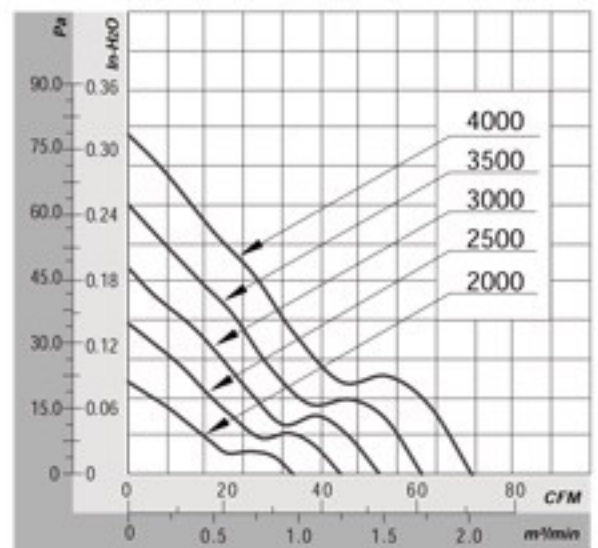
| Model       | Rev | #Bearing Type | Rated Voltage | Operating Voltage | Input Current | Input Power | Speed | Max Air Flow |                     | Max Static Pressure   |       | Noise | Weight |
|-------------|-----|---------------|---------------|-------------------|---------------|-------------|-------|--------------|---------------------|-----------------------|-------|-------|--------|
| Part No.    | XXX | B             | VDC           | VDC               | Amp           | Watt        | RPM   | CFM          | m <sup>3</sup> /min | Inch-H <sub>2</sub> O | Pa    | dB-A  | g      |
| DA09225#12U | D01 | B.5           | 12            | 7.0~13.8          | 0.60          | 7.20        | 4000  | 70.43        | 1.99                | 0.32                  | 78.96 | 46.8  | 78.0   |
| DA09225#12H | D01 | B.5           | 12            | 7.0~13.8          | 0.50          | 6.00        | 3500  | 60.68        | 1.72                | 0.25                  | 61.69 | 42.6  | 78.0   |
| DA09225#12M | D01 | B.5           | 12            | 7.0~13.8          | 0.40          | 4.80        | 3000  | 52.72        | 1.49                | 0.19                  | 47.08 | 38.4  | 78.0   |
| DA09225#12L | D01 | B.5           | 12            | 7.0~13.8          | 0.30          | 3.60        | 2500  | 44.05        | 1.25                | 0.14                  | 34.33 | 33.6  | 78.0   |
| DA09225#12D | D01 | B.5           | 12            | 7.0~13.8          | 0.20          | 2.40        | 2000  | 34.09        | 0.97                | 0.09                  | 21.68 | 27.6  | 78.0   |
| DA09225#24U | D01 | B.5           | 24            | 14.0~27.6         | 0.50          | 7.20        | 4000  | 70.43        | 1.99                | 0.32                  | 78.96 | 46.8  | 78.0   |
| DA09225#24H | D01 | B.5           | 24            | 14.0~27.6         | 0.40          | 6.00        | 3500  | 60.68        | 1.72                | 0.25                  | 61.69 | 42.6  | 78.0   |
| DA09225#24M | D01 | B.5           | 24            | 14.0~27.6         | 0.30          | 4.80        | 3000  | 52.72        | 1.49                | 0.19                  | 47.08 | 38.4  | 78.0   |
| DA09225#24L | D01 | B.5           | 24            | 14.0~27.6         | 0.20          | 3.60        | 2500  | 44.05        | 1.25                | 0.14                  | 34.33 | 33.6  | 78.0   |
| DA09225#24D | D01 | B.5           | 24            | 14.0~27.6         | 0.15          | 2.40        | 2000  | 34.09        | 0.97                | 0.09                  | 21.68 | 27.6  | 78.0   |
| DA09225#48U | D01 | B.5           | 48            | 28.0~56.0         | 0.40          | 7.20        | 4000  | 70.43        | 1.99                | 0.32                  | 78.96 | 46.8  | 78.0   |
| DA09225#48H | D01 | B.5           | 48            | 28.0~56.0         | 0.25          | 6.00        | 3500  | 60.68        | 1.72                | 0.25                  | 61.69 | 42.6  | 78.0   |
| DA09225#48M | D01 | B.5           | 48            | 28.0~56.0         | 0.20          | 4.80        | 3000  | 52.72        | 1.49                | 0.19                  | 47.08 | 38.4  | 78.0   |
| DA09225#48L | D01 | B.5           | 48            | 28.0~56.0         | 0.15          | 3.60        | 2500  | 44.05        | 1.25                | 0.14                  | 34.33 | 33.6  | 78.0   |

All model could be customized on voltage or any other requirements to fit your need.

### Dimensions (Unit:mm)



### PQ Curve (At Rated Voltage)



## 9225D

### 92x92x25MM

## DUST PROOF SERIES

# NEW



### General Specifications

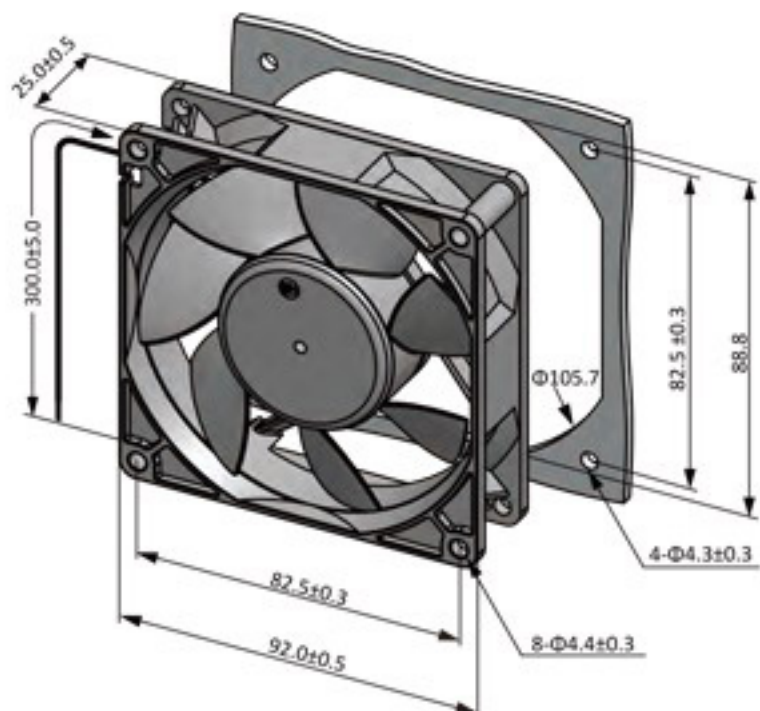
- ◆ Material..... Frame: Plastic (UL94V-0)  
Impeller: Plastic (UL94V-0)  
Lead Wire: UL1007AWG#24 or Equivalent (+) Red, (-) Black
- ◆ Expected Life..... Ball Bearing 70,000hrs (40°C)
- ◆ Temperature Range.... Operating Temperature -10°C~70°C (Non-condensing)  
Storage Temperature -40°C~70°C (Non-condensing)
- ◆ Safety Standards..... UL, TUV, RoHS, CE
- ◆ DC Fan Specials..... RD, FG, PWM, IP56

### Specifications

| Model       | Rev | #Bearing Type | Rated Voltage | Operating Voltage | Input Current | Input Power | Speed | Max Air Flow |                     | Max Static Pressure   |        | Noise | Weight |
|-------------|-----|---------------|---------------|-------------------|---------------|-------------|-------|--------------|---------------------|-----------------------|--------|-------|--------|
| Part No.    | A   | B             | VDC           | VDC               | Amp           | Watt        | RPM   | CFM          | m <sup>3</sup> /min | Inch-H <sub>2</sub> O | Pa     | dB-A  | g      |
| DA09225#12U | F01 | B             | 12            | 7.0~13.8          | 0.81          | 9.72        | 6000  | 104.24       | 2.95                | 0.70                  | 174.31 | 55.3  | 117    |
| DA09225#12H | F01 | B             | 12            | 7.0~13.8          | 0.62          | 7.44        | 5500  | 94.04        | 2.66                | 0.59                  | 147.98 | 52.2  | 117    |
| DA09225#12M | F01 | B             | 12            | 7.0~13.8          | 0.50          | 6.00        | 5000  | 86.34        | 2.44                | 0.50                  | 123.97 | 49.9  | 117    |
| DA09225#12L | F01 | B             | 12            | 7.0~13.8          | 0.36          | 4.32        | 4500  | 76.69        | 2.17                | 0.40                  | 100.65 | 47.4  | 117    |
| DA09225#12D | F01 | B             | 12            | 7.0~13.8          | 0.30          | 3.60        | 4000  | 69.62        | 1.96                | 0.33                  | 83.10  | 45.5  | 117    |
| DA09225#24U | F01 | B             | 24            | 14.0~27.6         | 0.40          | 9.60        | 6000  | 104.24       | 2.95                | 0.70                  | 174.31 | 55.3  | 117    |
| DA09225#24H | F01 | B             | 24            | 14.0~27.6         | 0.30          | 7.20        | 5500  | 94.04        | 2.66                | 0.59                  | 147.98 | 52.2  | 117    |
| DA09225#24M | F01 | B             | 24            | 14.0~27.6         | 0.25          | 6.00        | 5000  | 86.34        | 2.44                | 0.50                  | 123.97 | 49.9  | 117    |
| DA09225#24L | F01 | B             | 24            | 14.0~27.6         | 0.20          | 4.80        | 4500  | 76.69        | 2.17                | 0.40                  | 100.65 | 47.4  | 117    |
| DA09225#24D | F01 | B             | 24            | 14.0~27.6         | 0.15          | 3.60        | 4000  | 69.62        | 1.96                | 0.33                  | 83.10  | 45.5  | 117    |
| DA09225#48U | F01 | B             | 48            | 28.0~56.0         | 0.23          | 11.04       | 6000  | 104.24       | 2.95                | 0.70                  | 174.31 | 55.3  | 117    |
| DA09225#48H | F01 | B             | 48            | 28.0~56.0         | 0.17          | 8.16        | 5500  | 94.04        | 2.66                | 0.59                  | 147.98 | 52.2  | 117    |
| DA09225#48M | F01 | B             | 48            | 28.0~56.0         | 0.14          | 6.72        | 5000  | 86.34        | 2.44                | 0.50                  | 123.97 | 49.9  | 117    |
| DA09225#48L | F01 | B             | 48            | 28.0~56.0         | 0.11          | 5.28        | 4500  | 76.69        | 2.17                | 0.40                  | 100.65 | 47.4  | 117    |

All model could be customized on voltage or any other requirements to fit your need.

### Dimensions (Unit:mm)



### PQ Curve (At Rated Voltage)

