

12025 120x120x25MM

General Specifications

- ◆ Material..... Frame: Plastic (UL94V-0)
Impeller: Plastic (UL94V-0)
Lead Wire: UL1007AWG#24 or Equivalent (+) Red, (-) Black
- ◆ Expected Life..... Ball Bearing 70,000hrs (40°C)
Sleeve Bearing 30,000hrs (40°C)
- ◆ Temperature Range.... Operating Temperature -10°C~70°C (Non-condensing)
Storage Temperature -40°C~70°C (Non-condensing)
- ◆ Safety Standards..... UL, TUV, RoHS, CE
- ◆ DC Fan Specials..... RD, FG, PWM, IP56

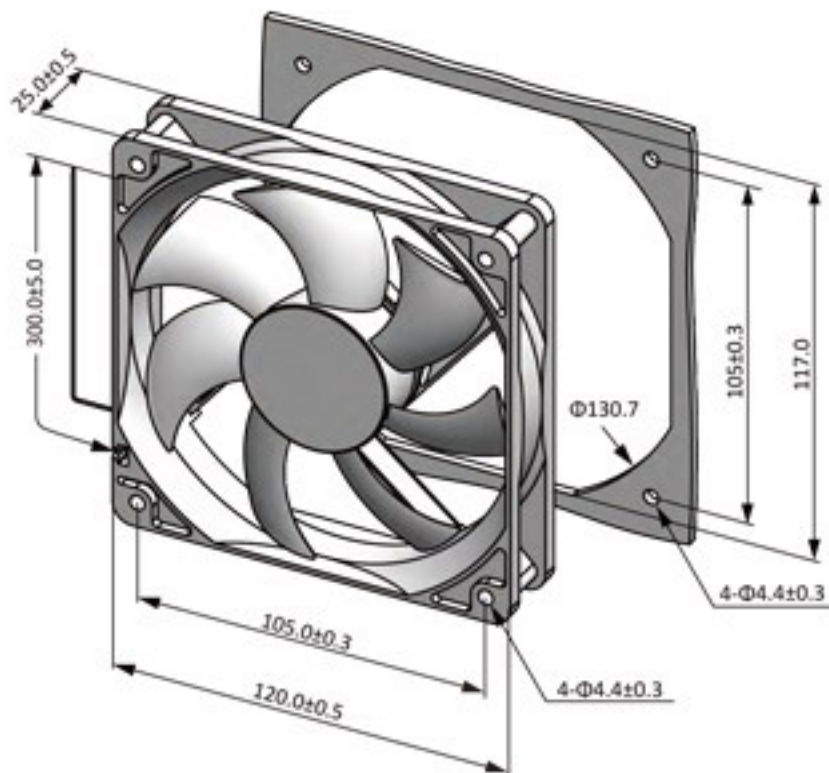


Specifications

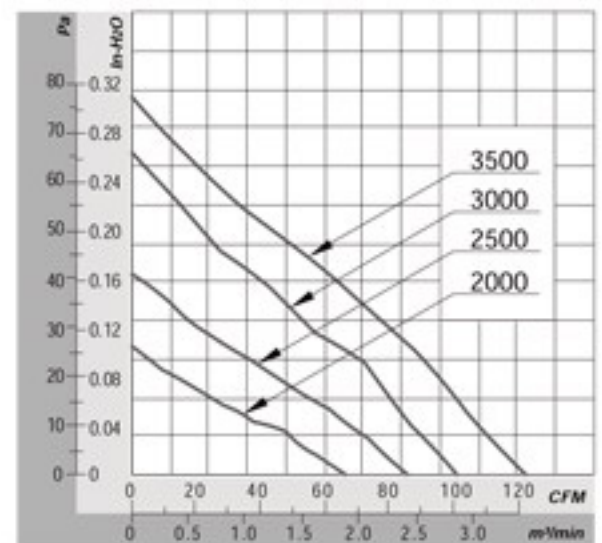
Model	Rev	#Bearing Type	Rated Voltage	Operating Voltage	Input Current	Input Power	Speed	Max Air Flow		Max Static Pressure		Noise	Weight
Part No.	XXX	B	VDC	VDC	Amp	Watt	RPM	CFM	m ³ /min	Inch-H ₂ O	Pa	dB-A	g
DA12025#12U		B.5	12	7.0~13.8	0.80	9.60	3500	122.12	3.46	0.31	77.47	49.0	140
DA12025#12H		B.5	12	7.0~13.8	0.50	6.00	3000	103.92	2.94	0.24	60.51	44.0	140
DA12025#12M		B.5	12	7.0~13.8	0.40	4.80	2500	86.65	2.45	0.18	44.03	39.0	140
DA12025#12L		B.5	12	7.0~13.8	0.20	2.40	2000	67.01	1.90	0.10	26.09	35.0	140
DA12025#24U		B.5	24	14.0~27.6	0.50	12.00	3500	122.12	3.46	0.31	77.47	49.0	140
DA12025#24H		B.5	24	14.0~27.6	0.40	9.60	3000	103.92	2.94	0.24	60.51	44.0	140
DA12025#24M		B.5	24	14.0~27.6	0.25	6.00	2500	86.65	2.45	0.18	44.03	39.0	140
DA12025#24L		B.5	24	14.0~27.6	0.15	3.60	2000	67.01	1.90	0.10	26.09	35.0	140
DA12025#48U		B.5	48	28.0~56.0	0.40	19.20	3500	122.12	3.46	0.31	77.47	49.0	140
DA12025#48H		B.5	48	28.0~56.0	0.30	14.40	3000	103.92	2.94	0.24	60.51	44.0	140
DA12025#48M		B.5	48	28.0~56.0	0.20	9.60	2500	86.65	2.45	0.18	44.03	39.0	140
DA12025#48L		B.5	48	28.0~56.0	0.10	4.80	2000	67.01	1.90	0.10	26.09	35.0	140

All model could be customized on voltage or any other requirements to fit your need.

Dimensions (Unit:mm)



PQ Curve (At Rated Voltage)



12025 120x120x25MM



General Specifications

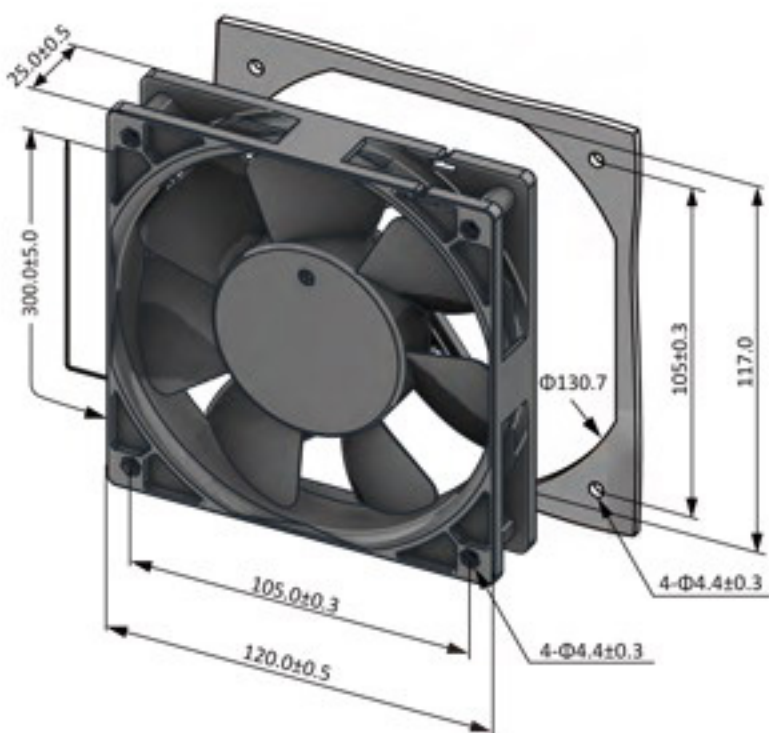
- ◆ Material..... Frame: Plastic (UL94V-0)
Impeller: Plastic (UL94V-0)
Lead Wire: UL1007AWG#24 or Equivalent (+) Red, (-) Black
- ◆ Expected Life..... Ball Bearing 70,000hrs (40°C)
Sleeve Bearing 30,000hrs (40°C)
- ◆ Temperature Range.... Operating Temperature -10°C~70°C (Non-condensing)
Storage Temperature -40°C~70°C (Non-condensing)
- ◆ Safety Standards..... UL, TUV, RoHS, CE
- ◆ DC Fan Specials..... RD, FG, PWM, IP56

Specifications

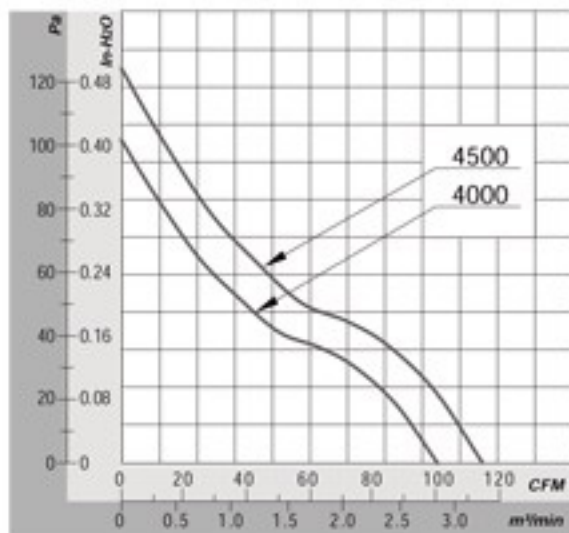
Model	Rev	#Bearing Type	Rated Voltage	Operating Voltage	Input Current	Input Power	Speed	Max Air Flow		Max Static Pressure		Noise	Weight
Part No.	XXX	B	VDC	VDC	Amp	Watt	RPM	CFM	m ³ /min	Inch-H ₂ O	Pa	dB-A	g
DA12025#12U	D01	B	12	7.0~13.8	0.80	9.60	4500	114.96	3.26	0.49	122.44	54.9	150
DA12025#12H	D01	B	12	7.0~13.8	0.50	6.00	4000	101.65	2.88	0.41	101.85	52.2	150
DA12025#24U	D01	B	24	14.0~27.6	0.50	12.00	4500	114.96	3.26	0.49	122.44	54.9	150
DA12025#24H	D01	B	24	14.0~27.6	0.40	9.60	4000	101.65	2.88	0.41	101.85	52.2	150
DA12025#48U	D01	B	48	28.0~56.0	0.40	19.20	4500	114.96	3.26	0.49	122.44	54.9	150
DA12025#48H	D01	B	48	28.0~56.0	0.30	14.40	4000	101.65	2.88	0.41	101.85	52.2	150

All model could be customized on voltage or any other requirements to fit your need.

Dimensions (Unit:mm)



PQ Curve (At Rated Voltage)



12025Z 120x120x25MM

DUST PROOF SERIES

NEW



General Specifications

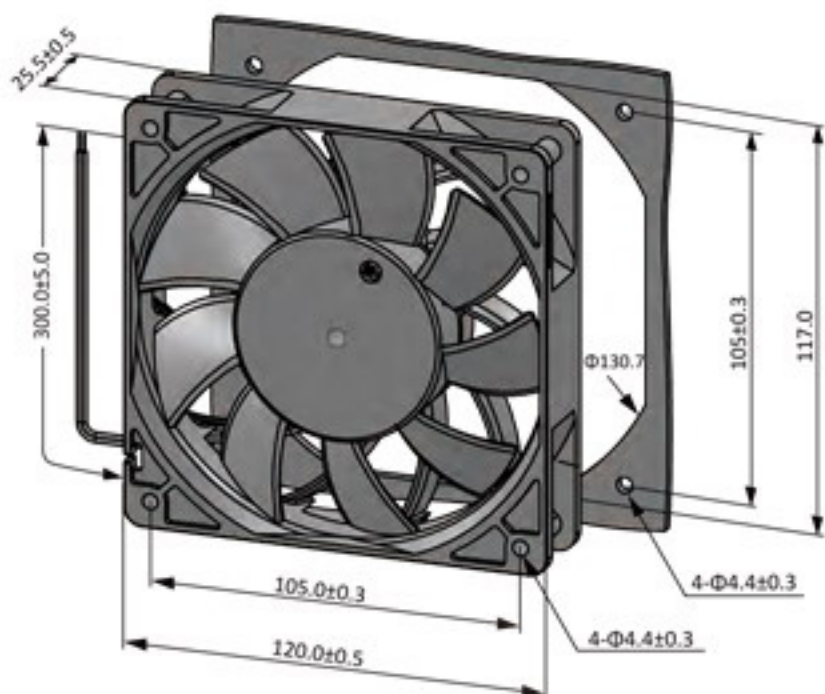
- ◆ Material..... Frame: Plastic (UL94V-0)
Impeller: Plastic (UL94V-0)
Lead Wire: UL1007AWG#24 or Equivalent (+) Red, (-) Black
- ◆ Expected Life..... Ball Bearing 70,000hrs (40°C)
- ◆ Temperature Range.... Operating Temperature -10°C~70°C (Non-condensing)
Storage Temperature -40°C~70°C (Non-condensing)
- ◆ Safety Standards..... UL, TUV, RoHS, CE
- ◆ DC Fan Specials..... RD, FG, PWM, IP56, IP68

Specifications

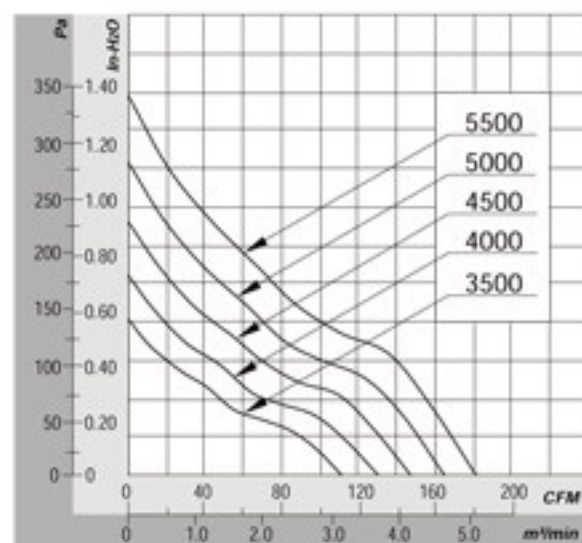
Model	Rev	#Bearing Type	Rated Voltage	Operating Voltage	Input Current	Input Power	Speed	Max Air Flow		Max Static Pressure		Noise	Weight
Part No.	XXX	B.S	VDC	VDC	Amp	Watt	RPM	CFM	m ³ /min	Inch-H ₂ O	Pa	dB-A	g
DZ12025B12U	B01	B	12	7.0~13.8	4.00	48.00	5500	179.31	5.08	1.36	338.10	64.2	164
DZ12025B12H	B01	B	12	7.0~13.8	3.00	36.00	5000	162.64	4.61	1.13	280.28	61.7	164
DZ12025B12M	B01	B	12	7.0~13.8	2.00	24.00	4500	145.53	4.12	0.91	226.38	58.2	164
DZ12025B12L	B01	B	12	7.0~13.8	1.00	12.00	4000	128.50	3.64	0.71	177.38	54.4	164
DZ12025B12D	B01	B	12	7.0~13.8	0.50	6.72	3500	111.77	3.17	0.56	138.18	52.0	164
DZ12025B24U	B01	B	12	14.0~27.6	2.00	48.00	5500	179.31	5.08	1.36	338.10	64.2	164
DZ12025B24H	B01	B	12	14.0~27.6	1.50	36.00	5000	162.64	4.61	1.13	280.28	61.7	164
DZ12025B24M	B01	B	24	14.0~27.6	1.00	24.00	4500	145.53	4.12	0.91	226.38	58.2	164
DZ12025B24L	B01	B	24	14.0~27.6	0.50	12.00	4000	128.50	3.64	0.71	177.38	54.4	164
DZ12025B24D	B01	B	24	14.0~27.6	0.28	6.72	3500	111.77	3.17	0.56	138.18	52.0	164
DZ12025B48U	B01	B	24	28.0~56.0	1.00	48.00	5500	179.31	5.08	1.36	338.10	64.2	164
DZ12025B48H	B01	B	48	28.0~56.0	0.75	36.00	5000	162.64	4.61	1.13	280.28	61.7	164
DZ12025B48M	B01	B	48	28.0~56.0	0.50	24.00	4500	145.53	4.12	0.91	226.38	58.2	164
DZ12025B48L	B01	B	48	28.0~56.0	0.25	12.00	4000	128.50	3.64	0.71	177.38	54.4	164
DZ12025B48D	B01	B	48	28.0~56.0	0.14	6.72	3500	111.77	3.17	0.56	138.18	52.0	164

All model could be customized on voltage or any other requirements to fit your need.

Dimensions (Unit:mm)



PQ Curve (At Rated Voltage)



FLANGE OR RIB TYPE