

## 14051Z 140x140x51MM

### General Specifications

- ◆ Material..... Frame: Plastic (UL94V-0)  
Impeller: Plastic (UL94V-0)  
Lead Wire: UL1007AWG#24 or Equivalent (+) Red, (-) Black
- ◆ Expected Life..... Ball Bearing 70,000hrs (40°C)
- ◆ Temperature Range.... Operating Temperature -10°C~70°C (Non-condensing)  
Storage Temperature -40°C~70°C (Non-condensing)
- ◆ Safety Standards..... UL, TUV, RoHS, CE
- ◆ DC Fan Specials..... RD, FG, PWM, Temperature Control, IP56

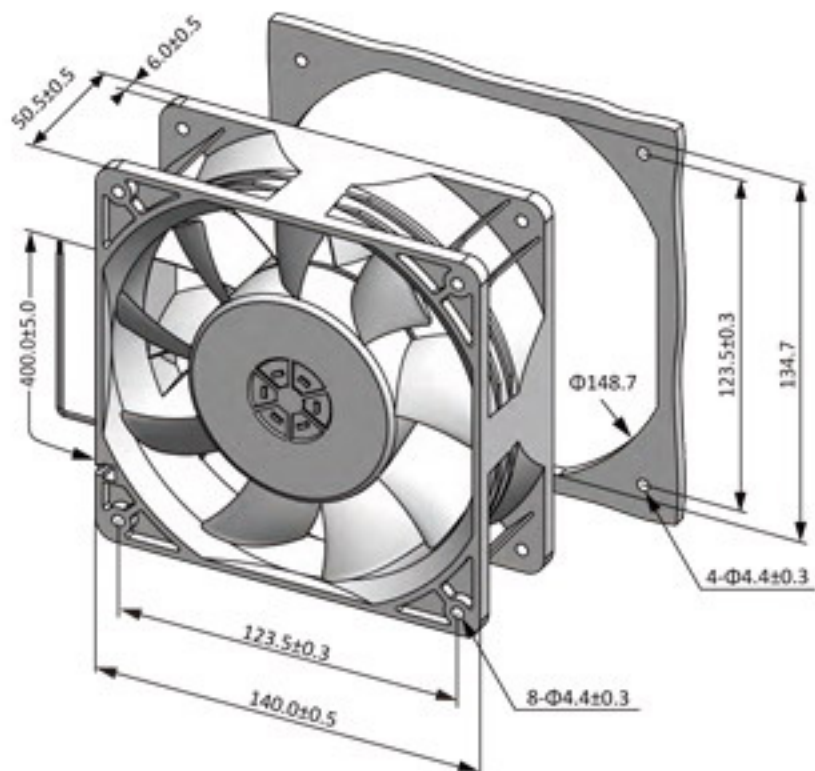


### Specifications

Model	Rev	#Bearing Type	Rated Voltage	Operating Voltage	Input Current	Input Power	Speed	Max Air Flow		Max Static Pressure		Noise	Weight
Part No.	XXX	B	VDC	VDC	Amp	Watt	RPM	CFM	m <sup>3</sup> /min	Inch-H <sub>2</sub> O	Pa	dB-A	g
DZ14051#24H		B	24	14.0~27.6	2.00	48.00	3600	273.09	7.73	0.78	194.22	61.7	670
DZ14051#24M		B	24	14.0~27.6	1.20	28.80	3200	252.11	7.13	0.64	159.36	58.5	670
DZ14051#24L		B	24	14.0~27.6	0.80	19.20	2800	219.73	6.22	0.51	126.99	54.5	670
DZ14051#48H		B	48	28.0~56.0	1.00	48.00	3600	273.09	7.73	0.78	194.22	61.7	670
DZ14051#48M		B	48	28.0~56.0	0.70	33.60	3200	252.11	7.13	0.64	159.36	58.5	670
DZ14051#48L		B	48	28.0~56.0	0.50	24.00	2800	219.73	6.22	0.51	126.99	54.5	670

All model could be customized on voltage or any other requirements to fit your need.

### Dimensions (Unit:mm)



### PQ Curve (At Rated Voltage)

