

## 17040

## 170x154x40MM

### General Specifications

- ◆ Material..... Frame: Plastic (UL94V-0)  
Impeller: Plastic (UL94V-0)  
Lead Wire: UL1007AWG#20 or Equivalent (+) Red, (-) Black
- ◆ Expected Life..... Ball Bearing 70,000hrs (40°C)
- ◆ Temperature Range.... Operating Temperature -10°C~70°C (Non-condensing)  
Storage Temperature -40°C~70°C (Non-condensing)
- ◆ Safety Standards..... UL, TUV, RoHS, CE
- ◆ DC Fan Specials..... RD, FG, PWM, Temperature Control, IP56

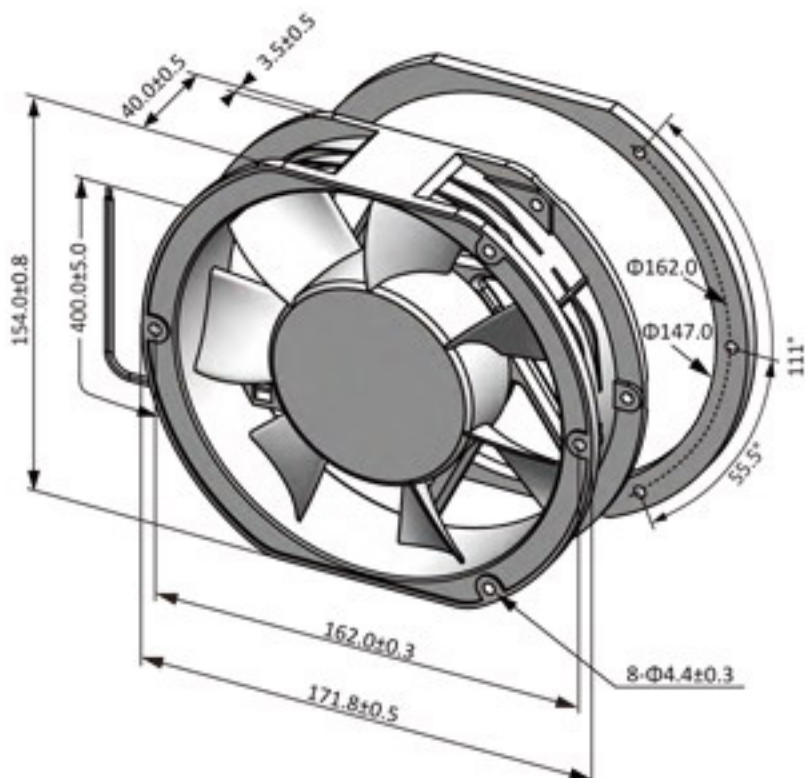


### Specifications

Model	Rev	#Bearing Type	Rated Voltage	Operating Voltage	Input Current	Input Power	Speed	Max Air Flow		Max Static Pressure		Noise	Weight
Part No.	XXX	B	VDC	VDC	Amp	Watt	RPM	CFM	m <sup>3</sup> /min	Inch-H <sub>2</sub> O	Pa	dB-A	g
DA17040#12H		B	12	7.0~13.8	2.00	24.00	3000	194.17	5.50	0.56	139.35	51.0	503
DA17040#12M		B	12	7.0~13.8	1.00	12.00	2500	160.99	4.56	0.39	96.20	43.0	503
DA17040#12L		B	12	7.0~13.8	0.70	8.40	2000	128.93	3.65	0.24	60.11	37.0	503
DA17040#24U		B	24	14.0~27.6	1.50	36.00	3500	221.04	6.26	0.74	184.07	59.0	503
DA17040#24H		B	24	14.0~27.6	0.90	21.60	3000	194.17	5.50	0.56	139.35	51.0	503
DA17040#24M		B	24	14.0~27.6	0.60	14.40	2500	160.99	4.56	0.39	96.20	43.0	503
DA17040#24L		B	24	14.0~27.6	0.40	9.60	2000	128.93	3.65	0.24	60.11	37.0	503
DA17040#48U		B	48	28.0~56.0	0.80	38.40	3500	221.04	6.26	0.74	184.07	59.0	503
DA17040#48H		B	48	28.0~56.0	0.60	28.80	3000	194.17	5.50	0.56	139.35	51.0	503
DA17040#48M		B	48	28.0~56.0	0.40	19.20	2500	160.99	4.56	0.39	96.20	43.0	503
DA17040#48L		B	48	28.0~56.0	0.20	9.60	2000	128.93	3.65	0.24	60.11	37.0	503

All model could be customized on voltage or any other requirements to fit your need.

### Dimensions (Unit:mm)



### PQ Curve (At Rated Voltage)

