

## 20060

## 200x200x60MM



### General Specifications

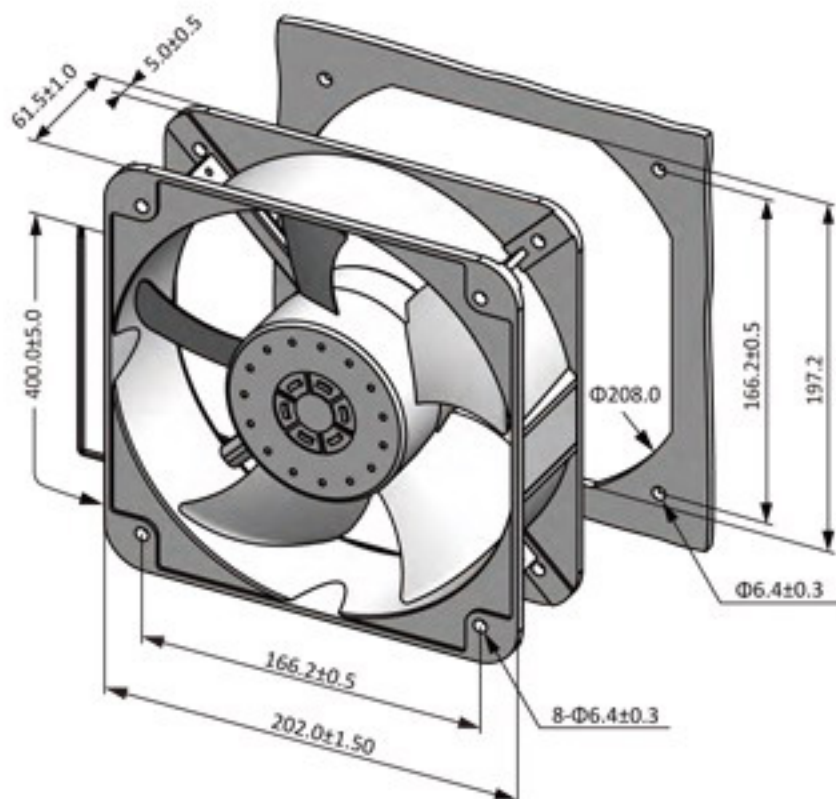
- ◆ Material..... Frame: Aluminum Alloy, Painted black  
Impeller: Plastic (UL94V-0)  
Lead Wire :UL1007AWG#22 or Equivalent (+) Red, (-) Black
- ◆ Expected Life..... Ball Bearing 70,000hrs (40°C)
- ◆ Temperature Range.... Operating Temperature -10°C~70°C (Non-condensing)  
Storage Temperature -40°C~70°C (Non-condensing)
- ◆ Safety Standards..... UL, TUV, RoHS, CE
- ◆ DC Fan Specials..... RD, FG, PWM, Temperature Control, IP56

### Specifications

Model	Rev	#Bearing Type	Rated Voltage	Operating Voltage	Input Current	Input Power	Speed	Max Air Flow		Max Static Pressure		Noise	Weight
Part No.	XXX	B	VDC	VDC	Amp	Watt	RPM	CFM	m <sup>3</sup> /min	Inch-H <sub>2</sub> O	Pa	dB-A	g
DA20060#12H		B	12	7.0~13.8	3.50	42.00	3000	640.0	18.13	0.97	241.62	68.0	1030
DA20060#12M		B	12	7.0~13.8	2.80	33.60	2500	532.0	15.07	0.74	184.33	58.0	1030
DA20060#12L		B	12	7.0~13.8	2.00	24.00	2000	490.0	13.88	0.61	151.94	50.0	1030
DA20060#24H		B	24	14.0~27.6	2.50	60.00	3000	640.0	18.13	0.97	241.62	68.0	1030
DA20060#24M		B	24	14.0~27.6	1.50	36.00	2500	532.0	15.07	0.74	184.33	58.0	1030
DA20060#24L		B	24	14.0~27.6	1.00	24.00	2000	490.0	13.88	0.61	151.94	50.0	1030
DA20060#48H		B	48	28.0~56.0	1.20	57.60	3000	640.0	18.13	0.97	241.62	68.0	1030
DA20060#48M		B	48	28.0~56.0	0.80	38.40	2500	532.0	15.07	0.74	184.33	58.0	1030
DA20060#48L		B	48	28.0~56.0	0.50	24.00	2000	490.0	13.88	0.61	151.94	50.0	1030

All model could be customized on voltage or any other requirements to fit your need.

### Dimensions (Unit:mm)



### PQ Curve (At Rated Voltage)

