

## 17251

## 172x152x51MM



### General Specifications

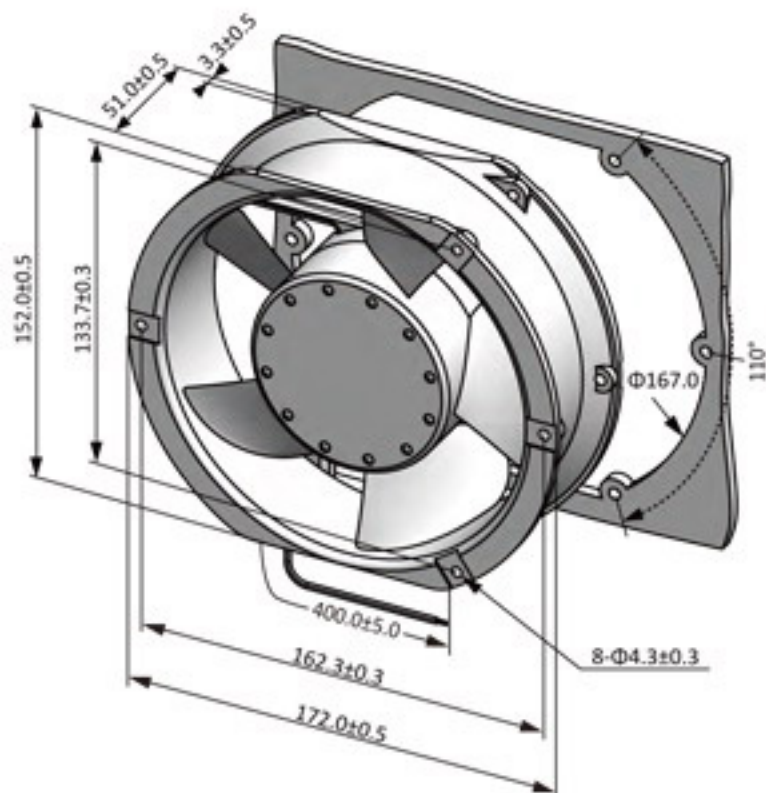
- ◆ Material..... Frame: Aluminum Alloy, Painted black  
Impeller: Plastic (UL94V-0)  
Lead Wire: UL1007AWG#22 or Equivalent (+) Red, (-) Black
- ◆ Expected Life..... Ball Bearing 70,000hrs (40°C)
- ◆ Temperature Range.... Operating Temperature -10°C~70°C (Non-condensing)  
Storage Temperature -40°C~70°C (Non-condensing)
- ◆ Safety Standards..... UL, TUV, RoHS, CE
- ◆ DC Fan Specials..... RD, FG, PWM, Temperature Control, IP56, IP68

### Specifications

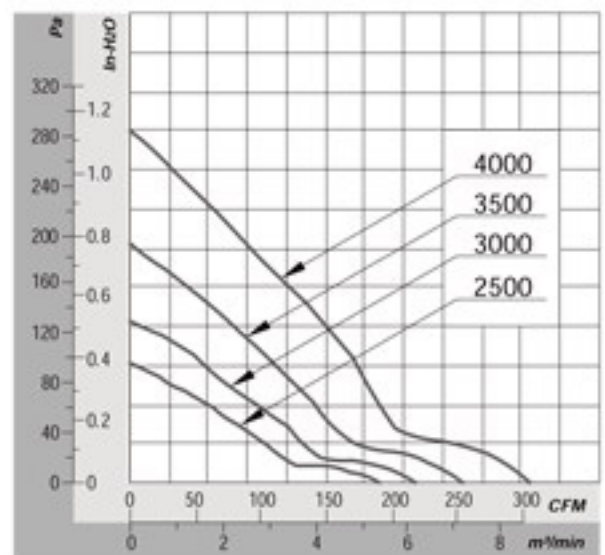
Model	Rev	#Bearing Type	Rated Voltage	Operating Voltage	Input Current	Input Power	Speed	Max Air Flow		Max Static Pressure		Noise	Weight
Part No.	XXX	B	VDC	VDC	Amp	Watt	RPM	CFM	m <sup>3</sup> /min	Inch-H <sub>2</sub> O	Pa	dB-A	g
DA17251#12U	F01	B	12	7.0~13.8	3.00	36.00	4000	305.29	8.65	1.14	283.51	67.0	740
DA17251#12H	F01	B	12	7.0~13.8	2.00	24.00	3500	257.88	7.30	0.71	176.81	59.0	740
DA17251#12M	F01	B	12	7.0~13.8	1.50	18.00	3000	220.85	6.25	0.52	128.57	51.0	740
DA17251#12L	F01	B	12	7.0~13.8	1.00	12.00	2500	185.24	5.25	0.37	92.77	44.0	740
DA17251#24U	F01	B	24	14.0~27.6	1.50	36.00	4000	305.29	8.65	1.14	283.51	67.0	740
DA17251#24H	F01	B	24	14.0~27.6	1.00	24.00	3500	257.88	7.30	0.71	176.81	59.0	740
DA17251#24M	F01	B	24	14.0~27.6	0.70	16.80	3000	220.85	6.25	0.52	128.57	51.0	740
DA17251#24L	F01	B	24	14.0~27.6	0.50	12.00	2500	185.24	5.25	0.37	92.77	44.0	740
DA17251#48U	F01	B	48	28.0~56.0	0.80	38.40	4000	305.29	8.65	1.14	283.51	67.0	740
DA17251#48H	F01	B	48	28.0~56.0	0.60	28.80	3500	257.88	7.30	0.71	176.81	59.0	740
DA17251#48M	F01	B	48	28.0~56.0	0.50	24.00	3000	220.85	6.25	0.52	128.57	51.0	740
DA17251#48L	F01	B	48	28.0~56.0	0.40	19.20	2500	185.24	5.25	0.37	92.77	44.0	740

All model could be customized on voltage or any other requirements to fit your need.

### Dimensions (Unit:mm)



### PQ Curve (At Rated Voltage)



## 17251

## 172x152x51MM

### DUST PROOF SERIES

### NEW



#### General Specifications

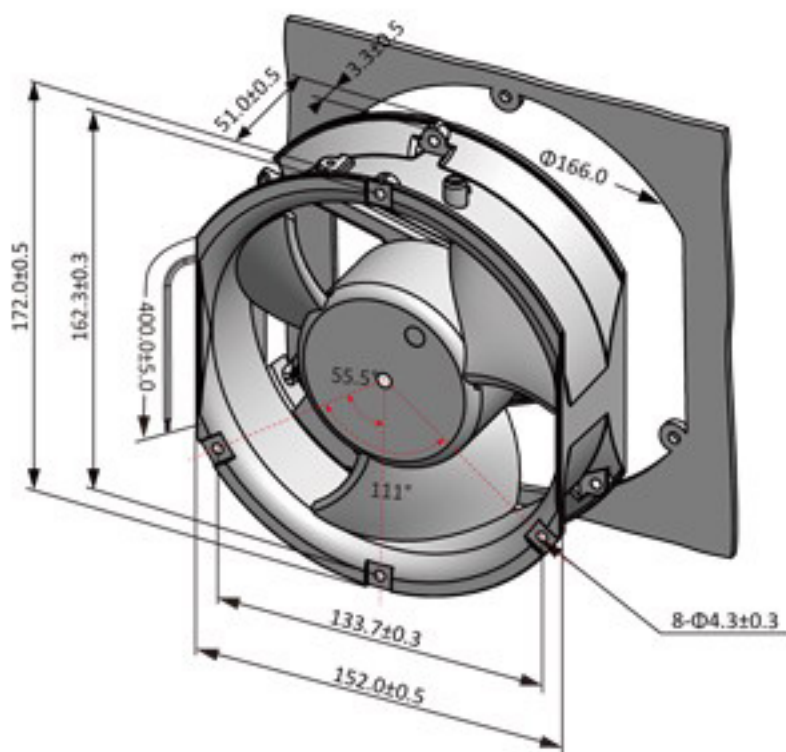
- Material..... Frame: Aluminum Alloy, Painted black  
Impeller: Plastic (UL94V-0)  
Lead Wire: UL1007AWG#22 or Equivalent (+) Red, (-) Black
- Expected Life..... Ball Bearing 70,000hrs (40°C)
- Temperature Range.... Operating Temperature -10°C~70°C (Non-condensing)  
Storage Temperature -40°C~70°C (Non-condensing)
- Safety Standards..... UL, TUV, RoHS, CE
- DC Fan Specials..... RD, FG, PWM, Temperature Control, IP68

#### Specifications

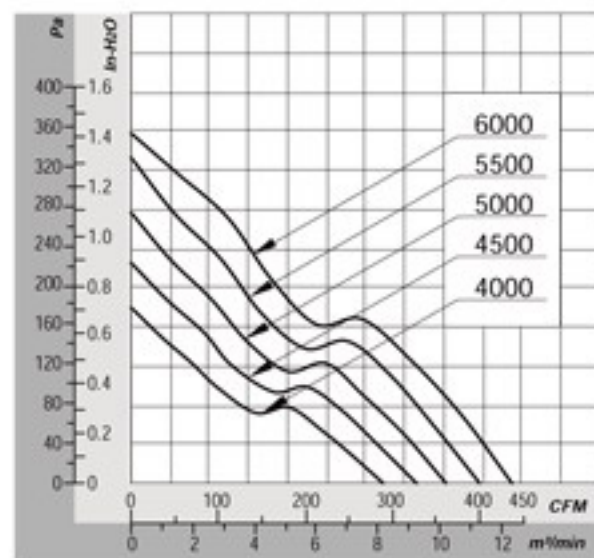
Model	Rev	#Bearing Type	Rated Voltage	Operating Voltage	Input Current	Input Power	Speed	Max Air Flow		Max Static Pressure		Noise	Weight
Part No.	A	B.S	VDC	VDC	Amp	Watt	RPM	CFM	m <sup>3</sup> /min	Inch-H <sub>2</sub> O	Pa	dB-A	g
DA17251B12L	F36	B	12	7.0~13.8	3.10	37.20	4500	325.57	9.22	1.40	347.90	63.7	750
DA17251B12D	F36	B	12	7.0~13.8	2.60	31.20	4000	287.45	8.14	1.11	277.34	60.0	750
DA17251B24U	F36	B	24	14.0~27.6	3.30	79.20	6000	434.28	12.30	2.23	555.66	75.0	750
DA17251B24H	F36	B	24	14.0~27.6	2.70	64.80	5500	397.42	11.25	2.07	514.50	72.0	750
DA17251B24M	F36	B	24	14.0~27.6	1.90	45.60	5000	359.02	10.17	1.72	427.28	69.0	750
DA17251B24L	F36	B	24	14.0~27.6	1.50	36.00	4500	325.57	9.22	1.40	347.90	66.3	750
DA17251B24D	F36	B	24	14.0~27.6	1.00	24.00	4000	287.45	8.14	0.80	277.34	55.1	750
DA17251B48U	F36	B	48	28.0~56.0	1.65	79.10	6000	434.28	12.30	2.23	555.66	75.0	750
DA17251B48H	F36	B	48	28.0~56.0	1.25	60.00	5500	397.42	11.25	2.07	514.50	72.0	750
DA17251B48M	F36	B	48	28.0~56.0	0.98	47.04	5000	359.02	10.17	1.72	427.28	69.0	750
DA17251B48L	F36	B	48	28.0~56.0	0.75	36.00	4500	325.57	9.22	1.40	347.90	66.3	750
DA17251B48D	F36	B	48	28.0~56.0	0.55	36.40	4000	287.45	8.14	0.80	277.34	55.1	750

All model could be customized on voltage or any other requirements to fit your need.

#### Dimensions (Unit:mm)



#### PQ Curve (At Rated Voltage)



## 17251

## 172x152x51MM

### DUST PROOF SERIES

# NEW



#### General Specifications

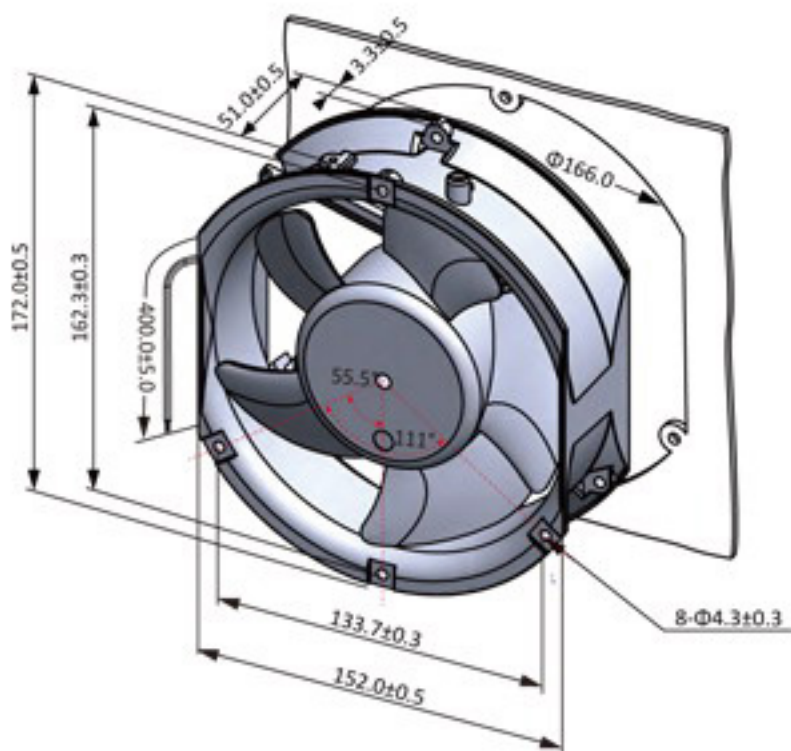
- Material..... Frame: Aluminum Alloy, Painted black  
Impeller: Plastic (UL94V-0)  
Lead Wire: UL1007AWG#22 or Equivalent (+) Red, (-) Black
- Expected Life..... Ball Bearing 70,000hrs (40°C)
- Temperature Range.... Operating Temperature -10°C~70°C (Non-condensing)  
Storage Temperature -40°C~70°C (Non-condensing)
- Safety Standards..... UL, TUV, RoHS, CE
- DC Fan Specials..... RD, FG, PWM, Temperature Control, IP68

#### Specifications

Model	Rev	#Bearing Type	Rated Voltage	Operating Voltage	Input Current	Input Power	Speed	Max Air Flow		Max Static Pressure		Noise	Weight
Part No.	XXX	B	VDC	VDC	Amp	Watt	RPM	CFM	m <sup>3</sup> /min	Inch-H <sub>2</sub> O	Pa	dB-A	g
DA17251B12M	F56	12	12	7.0~13.8	1.12	13.44	3000	195.30	5.53	0.71	177.40	58.6	766
DA17251B12L	F56	12	12	7.0~13.8	0.70	8.40	2500	164.19	4.65	0.50	125.11	49.9	766
DA17251B24U	F56	24	24	7.0~13.8	0.93	22.32	4000	262.80	7.44	1.14	283.31	66.2	766
DA17251B24H	F56	24	24	7.0~13.8	0.68	16.32	3500	229.91	6.51	0.99	246.05	62.5	766
DA17251B24M	F56	24	24	14.0~27.6	0.46	11.04	3000	195.30	5.53	0.71	177.40	58.5	766
DA17251B24L	F56	24	24	14.0~27.6	0.30	7.20	2500	164.19	4.65	0.50	125.11	49.1	766
DA17251B48U	F56	48	48	14.0~27.6	0.49	23.52	4000	262.80	7.44	1.14	283.31	66.2	766
DA17251B48H	F56	48	48	28.0~56.0	0.35	16.80	3500	229.91	6.51	0.99	246.05	62.5	766
DA17251B48M	F56	48	48	28.0~56.0	0.22	10.56	3000	195.30	5.53	0.71	177.40	58.5	766
DA17251B48L	F56	48	48	28.0~56.0	0.15	7.20	2500	164.19	4.65	0.50	125.11	49.1	766

All model could be customized on voltage or any other requirements to fit your need.

#### Dimensions (Unit:mm)



#### PQ Curve (At Rated Voltage)

