

9733

97x94x33MM

General Specifications

- ◆ Material..... Frame: Plastic (UL94V-0)
Impeller: Plastic (UL94V-0)
Lead Wire: UL1007AWG#24 or Equivalent (+) Red, (-) Black
- ◆ Expected Life..... Ball Bearing 70,000hrs (40°C)
Sleeve Bearing 30,000hrs (40°C)
- ◆ Temperature Range.... Operating Temperature -10°C~70°C (Non-condensing)
Storage Temperature -40°C~70°C (Non-condensing)
- ◆ Safety Standards..... UL, TUV, RoHS, CE
- ◆ DC Fan Specials..... RD, FG, PWM, Temperature Control, IP56

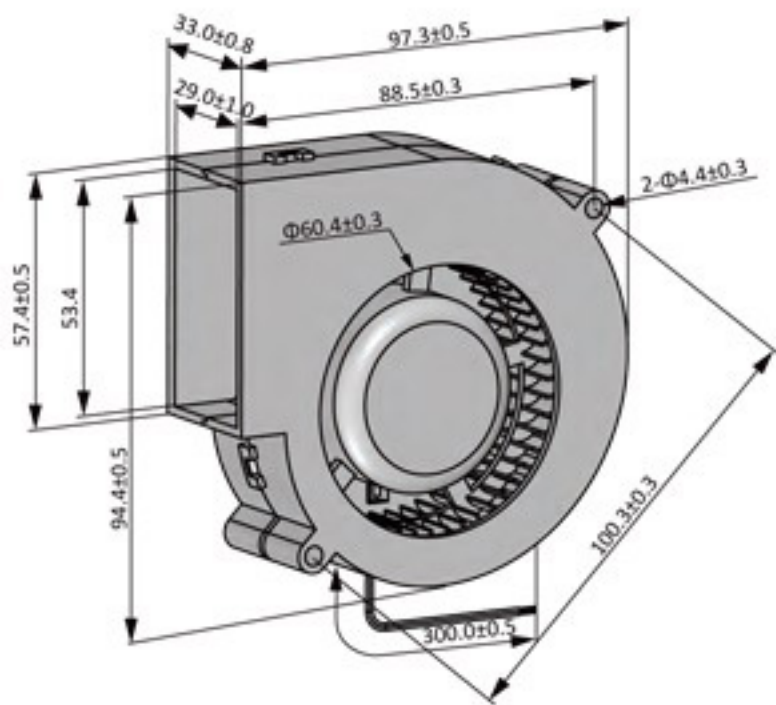


Specifications

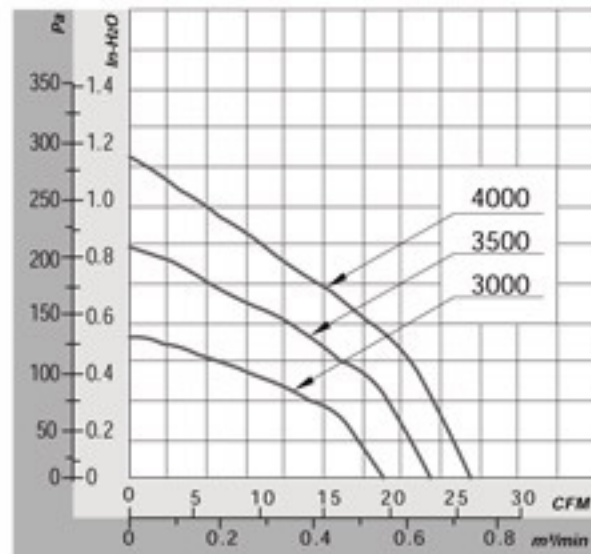
Model	Rev	#Bearing Type	Rated Voltage	Operating Voltage	Input Current	Input Power	Speed	Max Air Flow		Max Static Pressure		Noise	Weight
Part No.	XXX	B	VDC	VDC	Amp	Watt	RPM	CFM	m ³ /min	Inch-H ₂ O	Pa	dB-A	g
DB09733#12H		B.5	12	7.0~13.8	1.00	12.00	4000	26.62	0.75	1.15	286.75	53.0	164.0
DB09733#12M		B.5	12	7.0~13.8	0.60	7.20	3500	23.34	0.66	0.83	206.33	49.0	164.0
DB09733#12L		B.5	12	7.0~13.8	0.40	4.80	3000	19.71	0.56	0.53	132.59	45.0	164.0
DB09733#24H		B.5	24	14.0~27.6	0.80	19.20	4000	26.62	0.75	1.15	286.75	53.0	164.0
DB09733#24M		B.5	24	14.0~27.6	0.50	12.00	3500	23.34	0.66	0.83	206.33	49.0	164.0
DB09733#24L		B.5	24	14.0~27.6	0.30	7.20	3000	19.71	0.56	0.53	132.59	45.0	164.0

All model could be customized on voltage or any other requirements to fit your need.

Dimensions (Unit:mm)



PQ Curve (At Rated Voltage)



9733

97x97x33MM

HIGH AIR FLOW

NEW



General Specifications

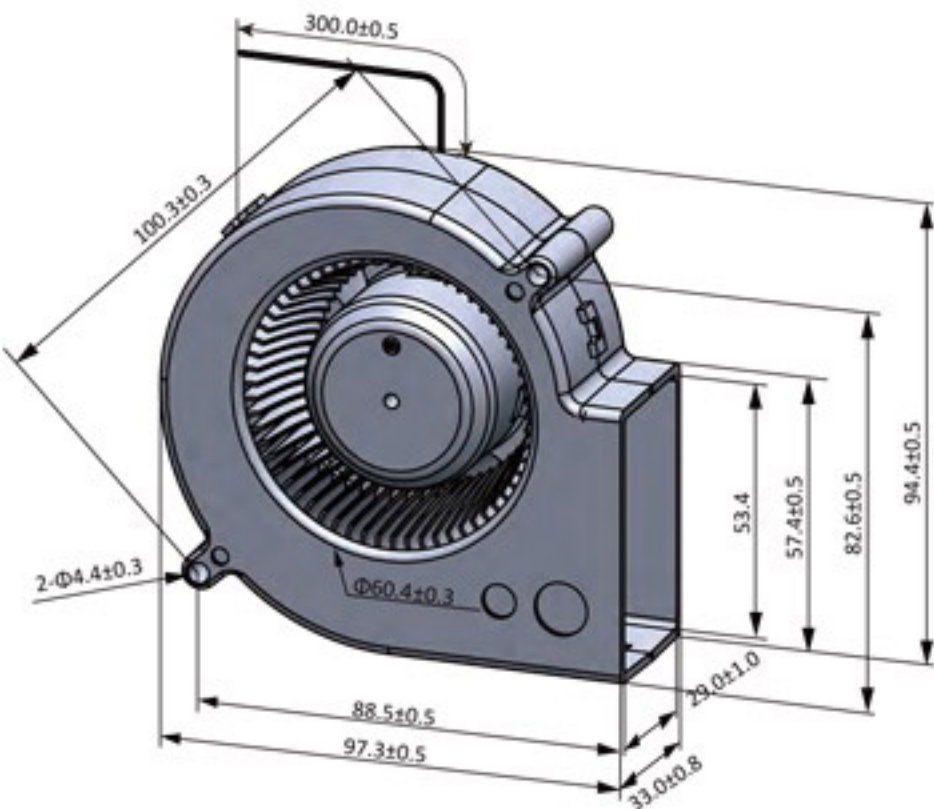
- ◆ Material..... Frame: Plastic (UL94V-0)
Impeller: Plastic (UL94V-0)
Lead Wire: UL1007AWG#24 or Equivalent (+) Red, (-) Black
- ◆ Expected Life..... Ball Bearing 70,000hrs (40°C)
- ◆ Temperature Range.... Operating Temperature -10°C~70°C (Non-condensing)
Storage Temperature -40°C~70°C (Non-condensing)
- ◆ Safety Standards..... UL, TUV, RoHS, CE
- ◆ DC Fan Specials..... RD, FG, PWM, Temperature Control, IP56

Specifications

Model	Rev	#Bearing Type	Rated Voltage	Operating Voltage	Input Current	Input Power	Speed	Max Air Flow		Max Static Pressure		Noise	Weight
Part No.	XXX	B.S	VDC	VDC	Amp	Watt	RPM	CFM	m ³ /min	Inch-H ₂ O	Pa	dB-A	g
DB09733B12H	B01	B	12	7.0~13.8	1.15	13.80	4000	33.68	0.95	0.70	174.45	55.6	174.0
DB09733B12M	B01	B	12	7.0~13.8	0.76	9.12	3500	30.01	0.85	0.55	137.70	53.2	174.0
DB09733B12L	B01	B	12	7.0~13.8	0.49	5.88	3000	25.49	0.72	0.40	98.89	49.5	174.0
DB09733B24U	B01	B	24	14.0~27.6	1.00	24.00	4500	38.81	1.10	0.92	229.04	58.2	174.0
DB09733B24H	B01	B	24	14.0~27.6	0.59	14.16	4000	33.68	0.95	0.70	174.45	55.6	174.0
DB09733B24M	B01	B	24	14.0~27.6	0.37	8.88	3500	30.01	0.85	0.55	137.70	53.2	174.0
DB09733B24L	B01	B	24	14.0~27.6	0.23	5.52	3000	25.49	0.72	0.40	98.89	49.5	174.0

All model could be customized on voltage or any other reuirements to fit your need.

Dimensions (Unit:mm)



PQ Curve (At Rated Voltage)

