

9238 92x92x38mm

General Specifications

- ◆ Material..... Frame: Die-Casting aluminum painted black, Impeller: PBT (UL94V-0)
- ◆ Motor Shaded pole
- ◆ Protection..... Impedance protection or thermal protection
- ◆ Dielectric Strength..... 50/60Hz 1500VAC 1min (Between input terminal and frame)
- ◆ Temperature Range.... Operating temperature ball bearing -40°C~70°C (Non-condensing)
Sleeve bearing -20°C~70°C (Non-condensing)
- ◆ Expected Life..... Ball bearing 50,000hrs at 40°C , Sleeve bearing 30000hrs at 40°C
- ◆ Safety Approval..... UL,CUL,CE,TUV



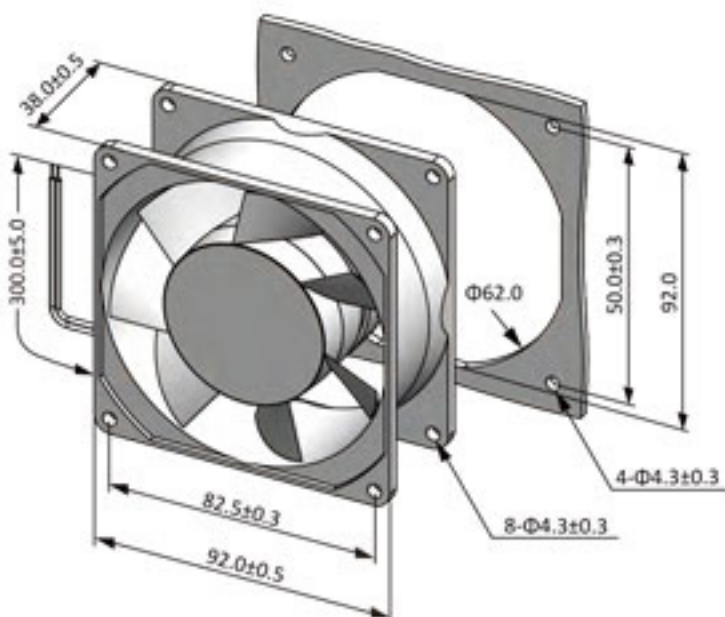
Specifications

Model	Rated Voltage	Freq	Input Current	Input Power	Speed	Max Air Flow		Max Static Pressure		Noise	Weight	Curve
Part No.	VAC	Hz	Amp	Watt	RPM	CFM	m ³ /min	Inch-H ₂ O	Pa	dB-A	g	
AA09238B11HL(T)	110	60	0.15	15	2500	44.19	1.25	0.18	44.98	36.2	360	1
AA09238S11HL(T)	110	60	0.15	15	2400	42.10	1.20	0.16	41.02	35.2	360	2
AA09238B22HL(T)	220	50	0.08	17	2200	31.49	0.89	0.14	35.38	32.0	360	3
AA09238S22HL(T)	220	50	0.08	17	2100	29.13	0.82	0.12	31.88	31.0	360	4

All model could be customized on voltage or any other reuirements to fit your need.

Note: "11" is 110 VAC, "22" is 220 VAC, (L) is Leadwire, (T) is Terminal

Dimensions (Unit:mm)



PQ Curve (At Rated Voltage)

