

# 11025 110x110x25mm



## General Specifications

- ◆ Material..... Frame: Die-Casting aluminum painted black, Impeller: PBT (UL94V-0)
- ◆ Motor ..... Shaded pole
- ◆ Protection..... Impedance protection or thermal protection
- ◆ Dielectric Strength..... 50/60Hz 1500VAC 1min (Between input terminal and frame)
- ◆ Temperature Range.... Operating temperature ball bearing -40°C~70°C (Non-condensing)  
Sleeve bearing -20°C~70°C (Non-condensing)
- ◆ Expected Life..... Ball bearing 50,000hrs at 40°C , Sleeve bearing 30000hrs at 40°C
- ◆ Safety Approval..... UL,CUL,CE,TUV

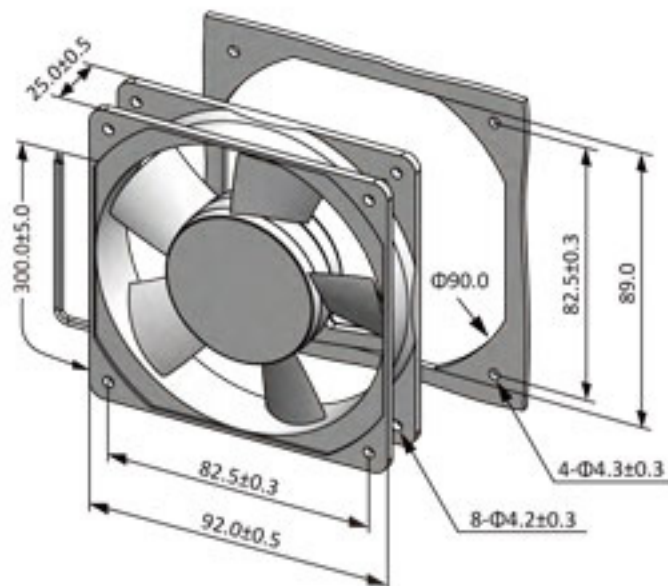
## Specifications

Model	Rated Voltage	Freq	Input Current	Input Power	Speed	Max Air Flow		Max Static Pressure		Noise	Weight	PQ Curve
Part No.	VAC	Hz	Amp	Watt	RPM	CFM	m <sup>3</sup> /min	Inch-H <sub>2</sub> O	Pa	dB-A	g	
AA11025B11HL(T)	110	60	0.06	13	2900	28.10	0.35	0.35	74.20	35.2	320	1
AA11025S11HL(T)	110	60	0.07	13	2800	26.10	0.35	0.35	74.20	35.2	320	2
AA11025B22HL(T)	220	50	0.13	15	2500	24.74	0.45	0.28	70.20	31.0	320	3
AA11025S22HL(T)	220	50	0.15	15	2400	22.74	0.45	0.28	70.20	31.0	320	4

All model could be customized on voltage or any other requirements to fit your need.

Note: "11" is 110 VAC, "22" is 220 VAC, (L) is Leadwire, (T) is Terminal

## Dimensions (Unit:mm)



## PQ Curve (At Rated Voltage)

