

13538 135x135x38mm

General Specifications

- ◆ Material..... Frame: Die-Casting aluminum painted black, Impeller: PBT (UL94V-0)
- ◆ Motor Shaded pole
- ◆ Protection..... Impedance protection or thermal protection
- ◆ Dielectric Strength..... 50/60Hz 1500VAC 1min (Between input terminal and frame)
- ◆ Temperature Range.... Operating temperature ball bearing -40°C~70°C (Non-condensing)
Sleeve bearing -20°C~70°C (Non-condensing)
- ◆ Expected Life..... Ball bearing 50,000hrs at 40°C , Sleeve bearing 30000hrs at 40°C
- ◆ Safety Approval..... UL,CUL,CE,TUV



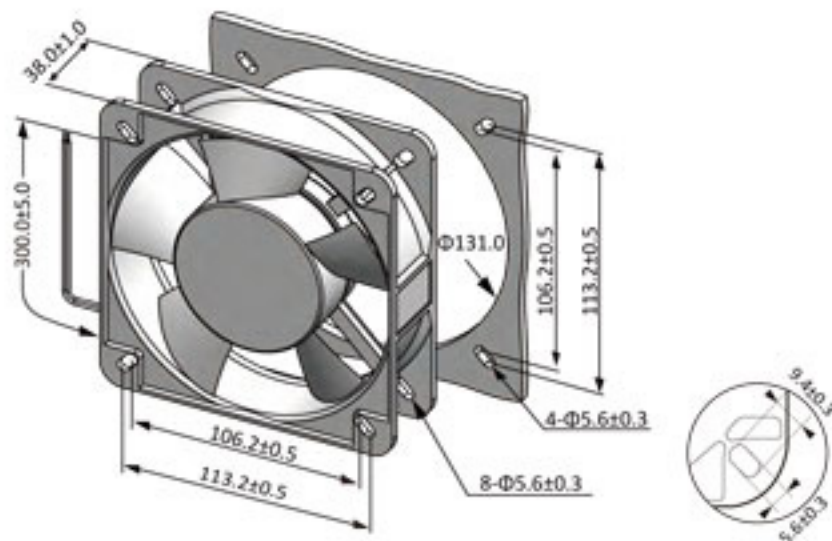
Specifications

Model	Rated Voltage	Freq	Input Current	Input Power	Speed	Max Air Flow		Max Static Pressure		Noise	Weight	Curve
Part No.	VAC	Hz	Amp	Watt	RPM	CFM	m ³ /min	Inch-H ₂ O	Pa	dB-A	g	
AA13538B11HL(T)	110	60	0.30	20	2450	110.30	3.12	0.32	79.68	57.0	650	1
AA13538S11HL(T)	110	60	0.30	20	2450	110.30	3.12	0.32	79.68	57.0	650	1
AA13538B22HL(T)	220	50	0.18	25	2250	95.40	2.69	0.27	69.72	55.0	650	2
AA13538S22HL(T)	220	50	0.18	25	2250	95.40	2.69	0.27	69.72	55.0	650	2

All model could be customized on voltage or any other requirements to fit your need.

Note: "11" is 110 VAC , "22" is 220 VAC , (L) is Leadwire , (T) is Terminal

Dimensions (Unit:mm)



PQ Curve (At Rated Voltage)

