

17238 172x152x38mm

General Specifications

- ◆ Material..... Frame: Die-Casting aluminum painted black, Impeller: PBT (UL94V-0)
- ◆ Motor Shaded pole
- ◆ Protection..... Impedance protection or thermal protection
- ◆ Dielectric Strength..... 50/60Hz 1500VAC 1min (Between input terminal and frame)
- ◆ Temperature Range.... Operating temperature ball bearing -40°C~70°C (Non-condensing)
- ◆ Expected Life..... Ball bearing 50,000hrs at 40°C
- ◆ Safety Approval..... UL,CUL,CE,TUV



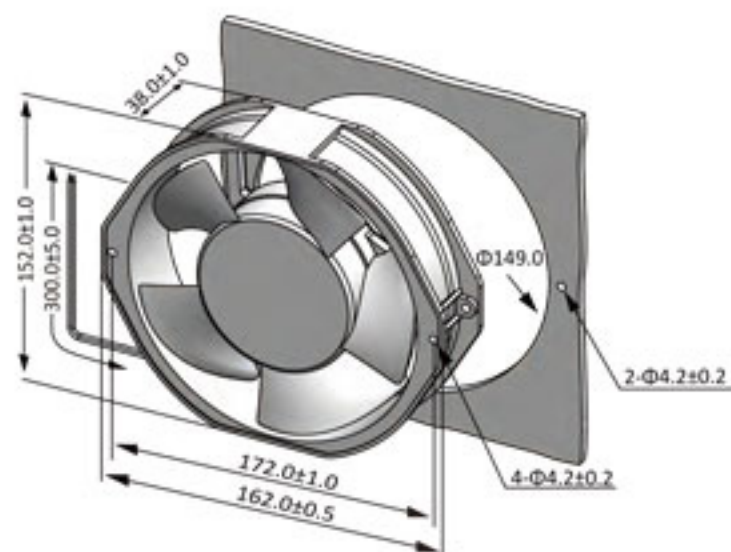
Specifications

Model Part No.	Rated Voltage VAC	Freq Hz	Input Current Amp	Input Power Watt	Speed RPM	Max Air Flow		Max Static Pressure		Noise dB-A	Weight g	Curve
						CFM	m ³ /min	Inch-H ₂ O	Pa			
AA17238B11HL(T)	110	60	0.35	34	2700	170.30	4.82	0.52	129.48	51.0	800	1
AA17238B22HL(T)	220	50	0.21	32	2550	150.40	4.26	0.39	97.11	48.0	800	2

All model could be customized on voltage or any other requirements to fit your need.

Note: "11" is 110 VAC, "22" is 220 VAC, (L) is Leadwire, (T) is Terminal

Dimensions (Unit:mm)



PQ Curve (At Rated Voltage)

