

6025

100VAC to 240VAC
Energy Saving AC Fan

NEW



CE cULus

General Specifications

- ◆ Frame Size..... 60x60x25mm
- ◆ Material..... Frame: Plastic (UL94V-0), Impeller: Plastic(UL94V-0)
Lead Wire: UL1007AWG#22 300mm
- ◆ Motor Protection..... AF series fans have auto restart function
- ◆ Input Voltage..... A rated voltage range of 100V~240V(50/60Hz) AC&DC ,Rotation speed remains constant even at different input voltages
- ◆ Dielectric Strength..... 50/60Hz 1500VAC 1min (Between input terminal and frame)
- ◆ Temperature Range.... Operating Temperature -20°C~70°C (Non-condensing)
Storage Temperature -40°C~70°C (Non-condensing)
- ◆ Expected life..... Ball Bearing 70,000hrs at 40°C (approximately 8 years)
- ◆ Fan Specials..... **RD FG PWM IP54 AS**

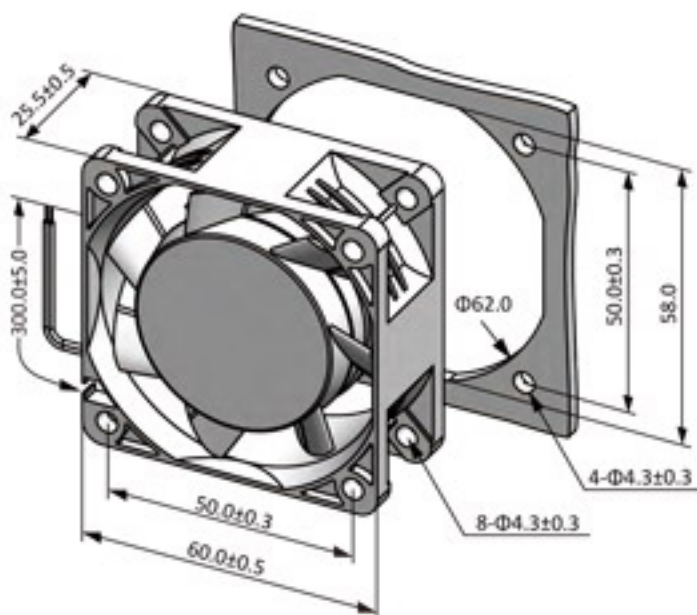
Specifications

Model	Rev	#Bearing Type	Rated Voltage	Input Current	Input Power	Speed	Max Air Flow		Max Static Pressure		Noise	Weight
Part No.	XXX	B.S	VAC	Amp	Watt	RPM	CFM	m ³ /min	Inch-H ₂ O	Pa	dB-A	g
AF06025B**HL(T)		B	100~240	0.06	2.30	4500	16.78	0.48	0.24	59.62	35.3	69.0
AF06025B**ML(T)		B	100~240	0.05	1.70	4000	13.47	0.38	0.19	47.37	33.0	69.0
AF06025B**LL(T)		B	100~240	0.04	1.40	3500	12.30	0.35	0.16	39.03	31.2	69.0

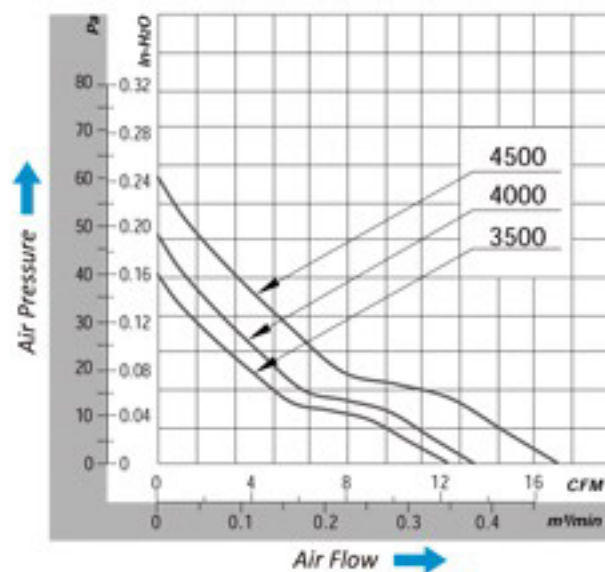
All model could be customized on voltage or any other requirements to fit your need.

Note: "00" is 100 to 240VAC, "11" is 110 VAC, "22" is 220 VAC, (L) is Leadwire, (T) is Terminal

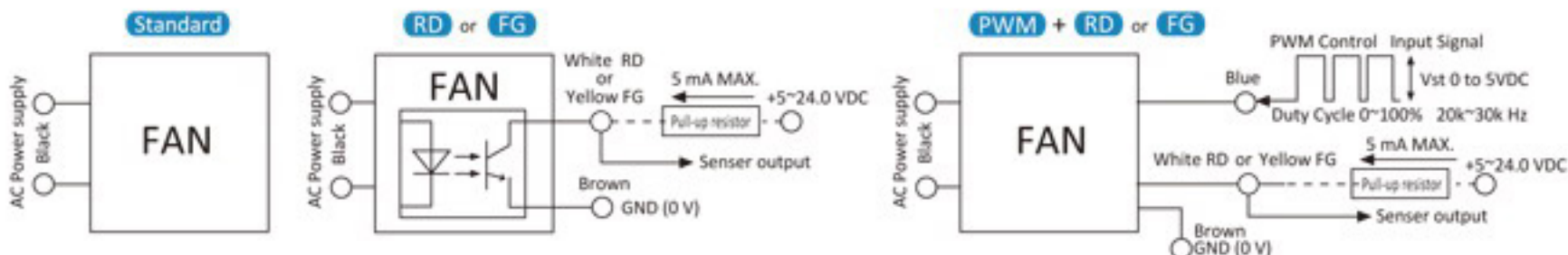
Dimensions (Unit:mm)



PQ Curve (At Rated Voltage)



Wiring Diagram



Note: Standard AF fan have two lead wire or Terminal.

RD or FG, have 4 lead wire. RD is White color, FG is Yellow color, Brown is Ground
PWM with RD or FG signal have 5 lead wire, PWM is Blue color, Brown is Ground