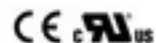


9238

100VAC to 240VAC Energy Saving AC Fan

General Specifications

- ◆ Frame Size..... 92x92x38mm
- ◆ Material..... Frame: Plastic (UL94V-0), Impeller:Plastic(UL94V-0)
Lead Wire: UL1007AWG#22 300mm or Terminal
- ◆ Motor Protection..... AF series fans have auto restart function
- ◆ Input Voltage..... A rated voltage range of 100V~240V(50/60Hz) AC&DC ,Rotation speed remains constant even at different input voltages
- ◆ Dielectric Strength..... 50/60Hz 1500 VAC 1min (Between input terminal and frame)
- ◆ Temperature Range.... Operating Temperature -20°C~70°C (Non-condensing)
Storage Temperature -40°C~70°C (Non-condensing)
- ◆ Expected life..... Ball Bearing 70,000hrs at 40°C (approximately 8 years)
- ◆ Fan Specials..... **RD FG PWM IP54 AS**



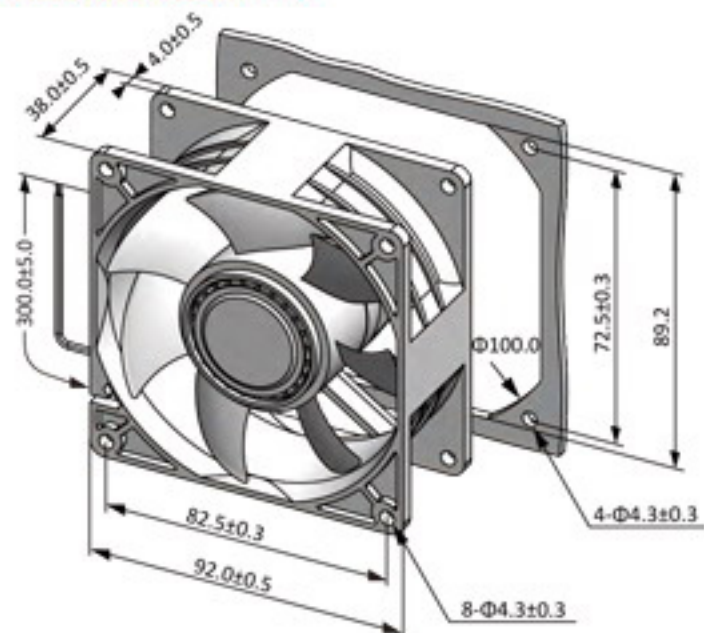
Specifications

Model	Rev	#Bearing Type	Rated Voltage	Input Current	Input Power	Speed	Max Air Flow		Max Static Pressure		Noise	Weight
Part No.	XXX	B.S	VAC	Amp	Watt	RPM	CFM	m³/min	Inch-H ₂ O	Pa	dB-A	g
AF09238B**HL(T)		B	100~240	0.11	5.50	3500	67.69	1.92	0.29	71.69	42.0	174.0
AF09238B**ML(T)		B	100~240	0.06	2.80	3000	57.59	1.63	0.21	52.47	36.5	174.0
AF09238B**LL(T)		B	100~240	0.05	2.20	2500	47.85	1.36	0.15	37.36	31.1	174.0

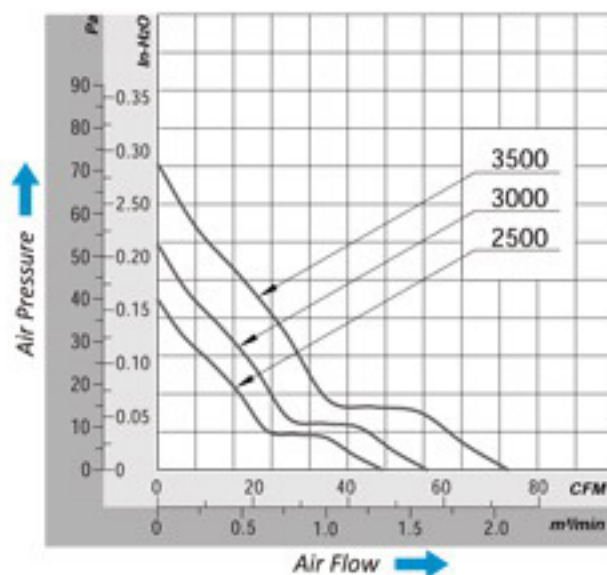
All model could be customized on voltage or any other requirements to fit your need.

Note: "00" "11" "22" are 220 VAC , (L) is Leadwire , (T) is Terminal

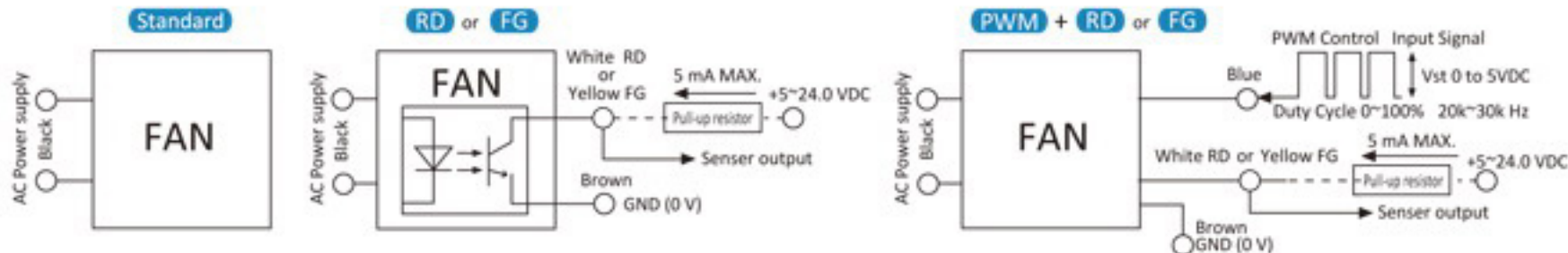
Dimensions (Unit:mm)



PQ Curve (At Rated Voltage)



Wiring Diagram



Note: Standard AF fan have two lead wire or Terminal.

RD or FG , have 4 lead wires . RD is White color , FG is Yellow color, Brown is Ground
PWM with RD or FG signal have 5 lead wires, PWM is Blue color, Brown is Ground