

17251

100VAC to 240VAC Energy Saving AC Fan

General Specifications

- ◆ Frame Size..... 172x150x51mm
- ◆ Material..... Frame: Aluminum (UL94V-0), Impeller: Plastic (UL94V-0)
Lead Wire: UL1007AWG#20 400mm or Terminal
- ◆ Motor Protection..... AF series fans have auto restart function
- ◆ Input Voltage..... A rated voltage range of 100V~240V(50/60Hz) AC&DC ,Rotation speed remains constant even at different input voltages
- ◆ Dielectric Strength..... 50/60Hz 1500 VAC 1min (Between input terminal and frame)
- ◆ Temperature Range.... Operating Temperature -20°C~70°C (Non-condensing)
Storage Temperature -40°C~70°C (Non-condensing)
- ◆ Expected life..... Ball Bearing 70,000hrs at 40°C (approximately 8 years)
- ◆ Fan Specials..... **RD FG PWM IP54 AS**



CE cULUS

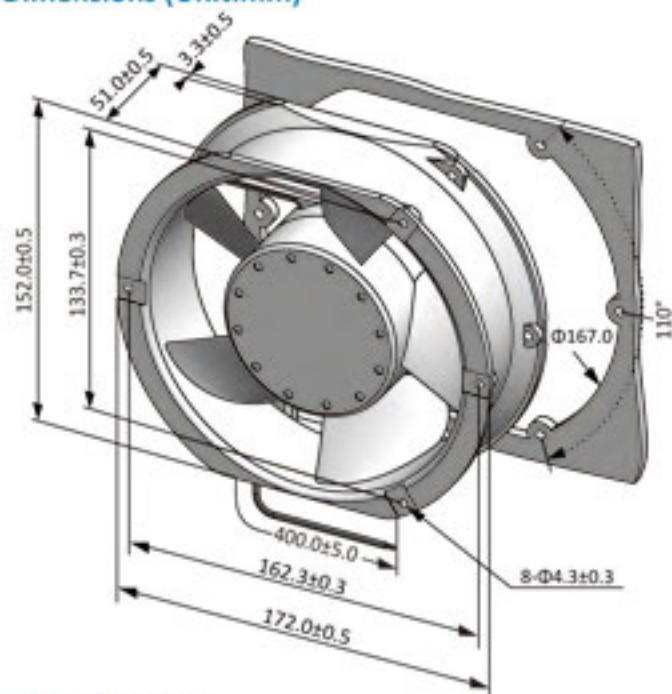
Specifications

Model	Rev	#Bearing Type	Rated Voltage	Input Current	Input Power	Speed	Max Air Flow		Max Static Pressure		Noise	Weight
Part No.	XXX	B.S	VAC	Amp	Watt	RPM	CFM	m ³ /min	Inch-H ₂ O	Pa	dB-A	g
AF17251B**UL(T)		B	100~240	0.30	28.00	3500	255.70	7.24	0.95	235.55	56.0	740
AF17251B**HL(T)		B	100~240	0.20	22.50	3200	237.16	6.72	0.71	176.90	53.0	740
AF17251B**ML(T)		B	100~240	0.17	19.00	2800	205.00	5.81	0.54	133.89	51.0	740
AF17251B**LL(T)		B	100~240	0.10	12.00	2500	183.34	5.19	0.44	108.55	45.0	740
AF17251B**DL(T)		B	100~240	0.08	10.00	2000	139.85	3.96	0.28	69.72	40.0	740

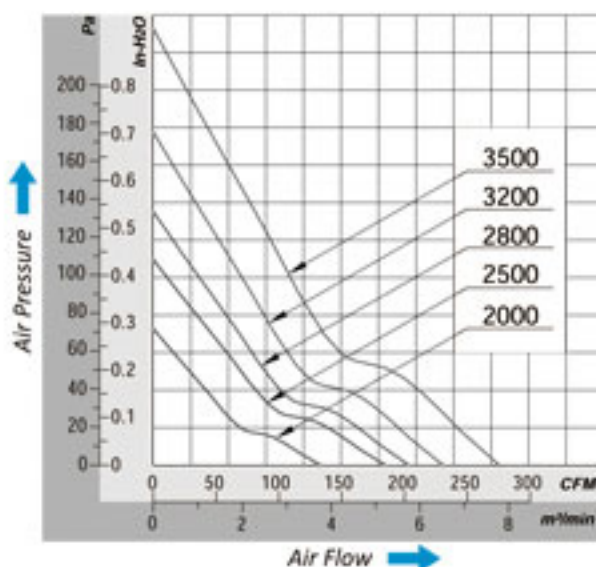
All model could be customized on voltage or any other requirements to fit your need.

Note: "00" "11" "22" are 220 VAC , (L) is Leadwire , (T) is Terminal

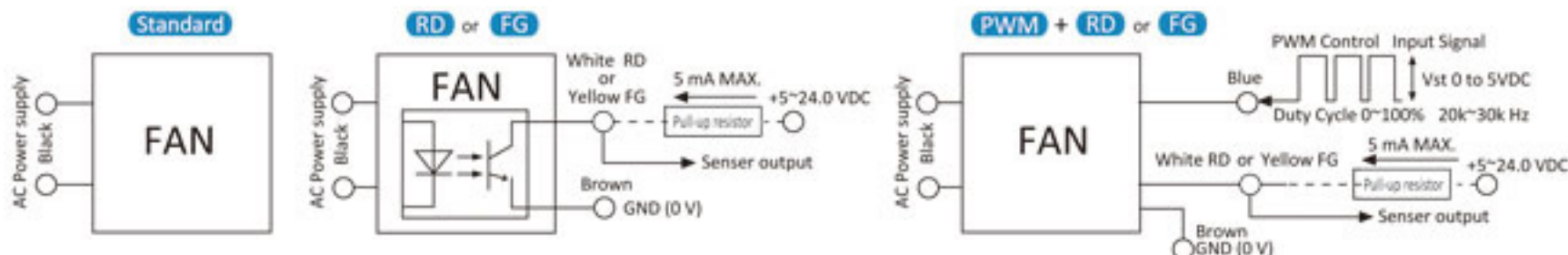
Dimensions (Unit:mm)



PQ Curve (At Rated Voltage)



Wiring Diagram



Note: Standard AF fan have two lead wire or Terminal.

RD or FG , have 4 lead wires . RD is White color , FG is Yellow color, Brown is Ground
PWM with RD or FG signal have 5 lead wires, PWM is Blue color, Brown is Ground