

22599
Φ225x99MM

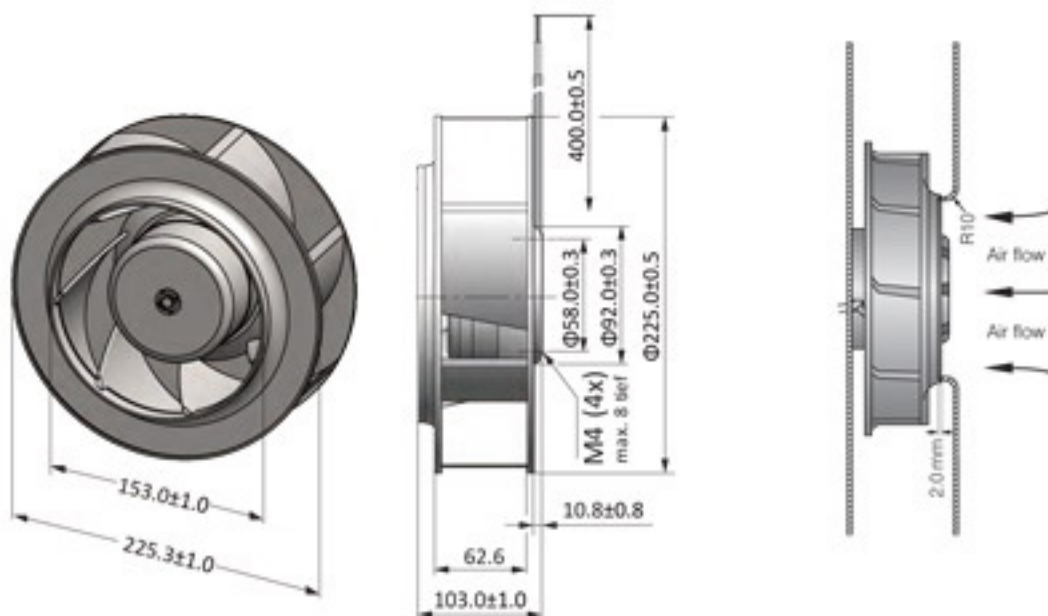
General Specifications

- ◆ Material..... Frame: Die-Cast Aluminum, Rotor: Coated in black
Impeller: Plastic (UL94V-0)
Lead Wire: UL1007AWG#20 or Equivalent (+) Red, (-) Black
- ◆ Expected Life..... Ball Bearing 50,000hrs (40°C)
- ◆ Temperature Range.... Operating Temperature -10°C~70°C (Non-condensing)
Storage Temperature -40°C~70°C (Non-condensing)
- ◆ Safety Standards..... UL, TUV, RoHS, CE
- ◆ DC Fan Specials..... RD, FG, PWM, Temperature Control, IP56

Specifications

Model	Rev	#Bearing Type	Rated Voltage	Operating Voltage	Input Current	Input Power	Speed	Max Air Flow		Max Static Pressure		Noise	Weight
Part No.	XXX	B	VDC	VDC	Amp	Watt	RPM	CFM	m ³ /min	Inch-H ₂ O	Pa	dB-A	g
DB22599B24U		B	24	14.0~27.6	4.00	96.00	2400	610.1	17.28	2.43	606.92	63.0	1300
DB22599B24H		B	24	14.0~27.6	3.20	86.40	2200	570.8	16.14	2.11	525.39	56.0	1300
DB22599B24M		B	24	14.0~27.6	2.40	76.80	2000	510.2	14.45	1.78	443.22	48.0	1300
DB22599B48U		B	48	28.0~56.0	2.00	96.00	2400	610.1	17.27	2.43	606.92	63.0	1300
DB22599B48H		B	48	28.0~56.0	1.60	86.40	2200	570.8	16.14	2.15	525.39	56.0	1300
DB22599B48M		B	48	28.0~56.0	1.20	76.80	2000	510.2	14.45	1.78	443.22	48.0	1300

All model could be customized on voltage or any other requirements to fit your need.

Dimensions (Unit:mm)

PQ Curve (At Rated Voltage)
