

19069

Φ190x69MM



General Specifications

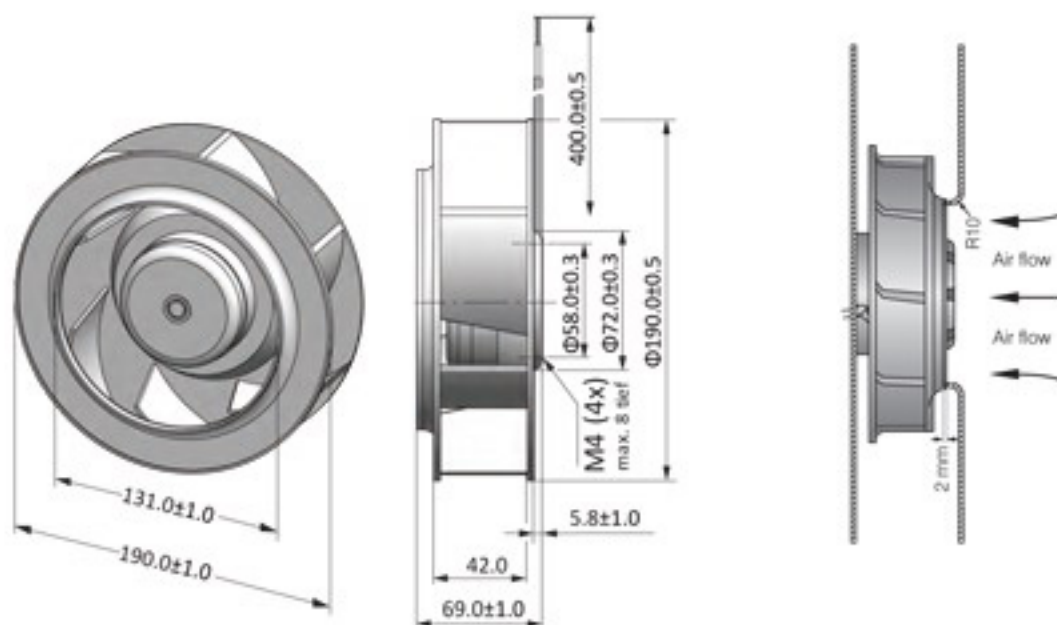
- ◆ Material..... Frame: Die-Cast Aluminum, Rotor: Coated in black
Impeller: Plastic (UL94V-0)
Lead Wire: UL1007AWG#20 or Equivalent (+) Red, (-) Black
- ◆ Expected Life..... Ball Bearing 70,000hrs (40°C)
- ◆ Temperature Range.... Operating Temperature -10°C~70°C (Non-condensing)
Storage Temperature -40°C~70°C (Non-condensing)
- ◆ Safety Standards..... UL, TUV, RoHS, CE
- ◆ DC Fan Specials..... RD, FG, PWM, Temperature Control, IP56

Specifications

Model	Rev	#Bearing Type	Rated Voltage	Operating Voltage	Input Current	Input Power	Speed	Max Air Flow		Max Static Pressure		Noise	Weight
Part No.	XXX	B	VDC	VDC	Amp	Watt	RPM	CFM	m ³ /min	Inch-H ₂ O	Pa	dB-A	g
DB19069B24H		B	24	14.0~27.6	3.00	72.00	3000	371.10	10.50	1.92	477.92	69.0	830
DB19069B24M		B	24	14.0~27.6	1.80	43.20	2500	309.25	8.76	1.34	331.90	65.0	830
DB19069B24L		B	24	14.0~27.6	1.20	28.80	2000	247.40	7.01	0.85	212.40	60.0	830
DB19069B48H		B	48	28.0~56.0	1.80	86.40	3000	371.10	10.50	1.92	477.92	69.0	830
DB19069B48M		B	48	28.0~56.0	1.00	48.00	2500	309.25	8.76	1.34	331.90	65.0	830
DB19069B48L		B	48	28.0~56.0	0.60	28.80	2000	247.40	7.01	0.85	212.40	60.0	830

All model could be customized on voltage or any other requirements to fit your need.

Dimensions (Unit:mm)



PQ Curve (At Rated Voltage)

