

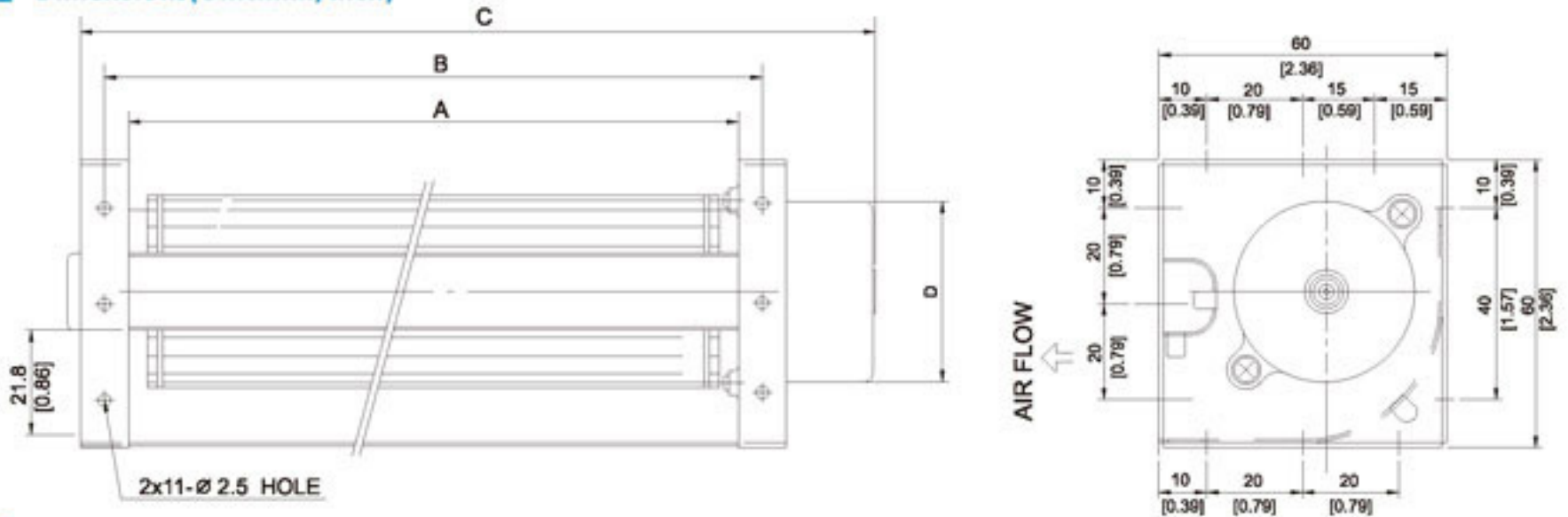
DC40

General Specifications

Impeller Diameter : 40mm
 Impeller material: Aluminum
 Housing :Galvanized steel with black painting
 Rubber parts: Silicone
 Bearing: Ball Bearing
 Lead Wire: UL1007 AWG#24 or Equivalent (+)Red, (-)Black
 Expected life: Ball Bearing 50,000hrs(40°C)
 Operating temperature -10°C~+70°C(Non-condensing)
 Storage temperature -40°C~+70°C(Non-condensing)



Dimensions(Unit:mm/inch)



Specifications

| MODEL NO. | DIMENSION(mm) | | | WEIGHT (g) | RATED VOLTAGE (V) | RATED CURRENT (A) | INPUT POWER (W) | SPEED (RPM) | MAX. AIR PRESSURE | | MAX. AIR FLOW | | NOISE dB(A) |
|-------------|---------------|-----|-----|------------|-------------------|-------------------|-----------------|-------------|----------------------|--------------------|---------------|---------------------|-------------|
| | A | B | C | | | | | | inchH ₂ O | mmH ₂ O | CFM | m ³ /min | |
| DC40090B12H | 98 | 108 | 134 | 220 | 12 | 0.20 | 2.40 | 3000 | 0.11 | 2.9 | 24 | 0.7 | 33 |
| DC40090B24H | 98 | 108 | 134 | 220 | 24 | 0.12 | 2.80 | 3000 | 0.11 | 2.9 | 24 | 0.7 | 33 |
| DC40150B12H | 160 | 170 | 196 | 260 | 12 | 0.25 | 3.00 | 2600 | 0.10 | 2.6 | 42 | 1.2 | 31 |
| DC40150B24H | 160 | 170 | 196 | 260 | 24 | 0.14 | 3.36 | 2600 | 0.10 | 2.6 | 42 | 1.2 | 31 |
| DC40190B12H | 198 | 208 | 234 | 310 | 12 | 0.30 | 3.60 | 2500 | 0.10 | 2.5 | 53 | 1.5 | 31 |
| DC40190B24H | 198 | 208 | 234 | 310 | 24 | 0.18 | 4.32 | 2500 | 0.10 | 2.5 | 53 | 1.5 | 31 |
| DC40250B12H | 250 | 260 | 286 | 360 | 12 | 0.35 | 4.20 | 2300 | 0.09 | 2.3 | 60 | 1.7 | 33 |
| DC40250B24H | 250 | 260 | 286 | 360 | 24 | 0.20 | 4.80 | 2300 | 0.09 | 2.3 | 60 | 1.7 | 33 |
| DC40290B12H | 300 | 310 | 345 | 410 | 12 | 0.40 | 4.80 | 2600 | 0.09 | 2.2 | 74 | 2.7 | 42 |
| DC40290B24H | 300 | 310 | 345 | 410 | 24 | 0.22 | 5.28 | 2600 | 0.09 | 2.2 | 74 | 2.7 | 42 |
| DC40350B12H | 348 | 358 | 400 | 570 | 12 | 0.60 | 7.20 | 2400 | 0.08 | 2.0 | 106 | 3.0 | 47 |
| DC40350B24H | 348 | 358 | 400 | 570 | 24 | 0.35 | 8.40 | 2400 | 0.08 | 2.0 | 106 | 3.0 | 47 |
| DC40420B12H | 420 | 430 | 468 | 620 | 12 | 0.66 | 7.92 | 2200 | 0.07 | 1.7 | 130 | 3.3 | 48 |
| DC40420B24H | 420 | 430 | 468 | 620 | 24 | 0.38 | 9.12 | 2200 | 0.07 | 1.7 | 130 | 3.3 | 48 |

PQ Curve(At Rated Voltage)

