

13391 $\Phi 133 \times 91 \text{MM}$

General Specifications

- ◆ Material..... Pillow: Die-Cast Aluminum
Impeller: Plastic (UL94V-0)
Lead Wire: UL1007AWG#20 or Equivalent (+) Red, (-) Black
- ◆ Expected Life..... Ball Bearing 70,000hrs (40°C)
- ◆ Temperature Range.... Operating Temperature -10°C~70°C (Non-condensing)
Storage Temperature -40°C~70°C (Non-condensing)
- ◆ Safety Standards..... UL, TUV, RoHS, CE
- ◆ DC Fan Specials..... RD, FG, PWM, Temperature Control, IP56

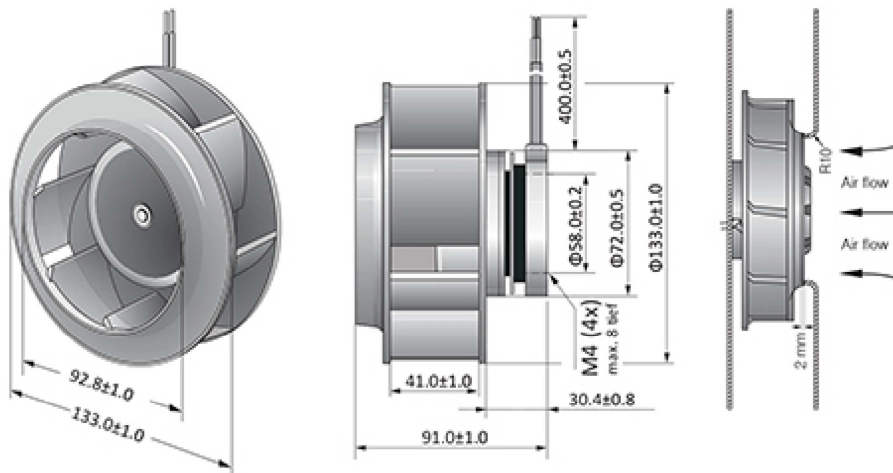


Specifications

Model	Rev	#Bearing Type	Rated Voltage	Operating Voltage	Input Current	Input Power	Speed	Max Air Flow		Max Static Pressure		Noise	Weight
Part No.	A	B	VDC	VDC	Amp	Watt	RPM	CFM	m ³ /min	Inch-H ₂ O	Pa	dB-A	g
DB13391B24U	F01	B	24	14.0~27.6	2.55	61.20	5000	264.85	7.50	2.39	595.26	69.0	680
DB13391B24H	F01	B	24	14.0~27.6	1.50	36.00	4000	211.88	6.00	1.56	380.80	64.0	680
DB13391B24M	F01	B	24	14.0~27.6	0.75	18.00	3000	158.91	4.50	0.86	214.23	58.0	680
DB13391B24L	F01	B	24	14.0~27.6	0.50	7.20	2000	105.94	3.00	0.38	95.21	49.0	680
DB13391B48U	F01	B	48	28.0~56.0	1.25	60.00	5000	264.85	7.50	2.39	595.26	69.0	680
DB13391B48H	F01	B	48	28.0~56.0	0.80	38.40	4000	211.88	6.00	1.56	380.80	64.0	680
DB13391B48M	F01	B	48	28.0~56.0	0.40	19.20	3000	158.91	4.50	0.86	214.23	58.0	680
DB13391B48L	F01	B	48	28.0~56.0	0.15	7.20	2000	105.94	3.00	0.38	95.21	49.0	680

All models could be customized on voltage or any other requirements to fit your need.

Dimensions (Unit:mm)



PQ Curve (At Rated Voltage)

